



**MODEL MAC25-4 SL**  
**RATED CAPACITY MANUAL**  
Book Part Number: T139154H



HYDRAULIC MOBILE ARTICULATED PICK & CARRY CRANE

**25 tonne MAXIMUM RATED CAPACITY**  
**16.6 tonne REAR AXLE WEIGHT**

Do not operate this crane unless you have read  
and understood the information in this book.

**Terex Australia Pty. Ltd.**

ABN : 86 010 671 048  
E-Mail : [info@terex.com.au](mailto:info@terex.com.au)

# CONTENTS

<b>WARNINGS</b> .....	<b>4</b>
OPERATIONAL NOTICE .....	4
ATTACHMENT NOTICE .....	4
<b>DEFINITIONS</b> .....	<b>5</b>
<b>SPECIAL PRECAUTIONS FOR ARTICULATED CRANES</b> .....	<b>6</b>
GENERAL .....	6
SET-UP .....	6
OPERATION .....	7
LIFT AND CARRY OPERATION.....	8
<b>OPERATION ON SIDE SLOPES</b> .....	<b>9</b>
<b>SPECIFICATIONS</b> .....	<b>10</b>
<b>CRANE CONFIGURATION</b> .....	<b>12</b>
<b>CRANE CONFIGURATION (RUNNER)</b> .....	<b>13</b>
<b>CRANE CONFIGURATION (RUNNER)</b> .....	<b>14</b>
<b>RATED CAPACITY CHARTS</b> .....	<b>15</b>
001: NO COUNTERWEIGHT – WINCH.....	16
101: FRONT COUNTERWEIGHT - WINCH.....	17
102: FRONT COUNTERWEIGHT - RHINO HOOK.....	18
105: FRONT COUNTERWEIGHT - FLYJIB 3m (0° OFFSET) .....	19
106: FRONT COUNTERWEIGHT - FLYJIB 3m (12.5° OFFSET) .....	19
109: FRONT COUNTERWEIGHT - MANBASKET.....	20
110: FRONT COUNTERWEIGHT - FIXED LUG (BUTT) .....	20
111: FRONT COUNTERWEIGHT – LUG 1.....	21
112: FRONT COUNTERWEIGHT - LUG 2 .....	22
127: FRONT COUNTERWEIGHT – RUNNER 1 (0° OFFSET) - HOOK.....	23
130: FRONT COUNTERWEIGHT – RUNNER 1 (0° OFFSET) - SHEAVE .....	23
128: FRONT COUNTERWEIGHT – RUNNER 2 (15° OFFSET) - HOOK.....	24
131: FRONT COUNTERWEIGHT – RUNNER 2 (15° OFFSET) - SHEAVE .....	24
129: FRONT COUNTERWEIGHT – RUNNER 3 (20° OFFSET) - HOOK.....	25
132: FRONT COUNTERWEIGHT – RUNNER 3 (20° OFFSET) - SHEAVE .....	25
133: FRONT COUNTERWEIGHT – FLYJIB 1.5m (0° OFFSET) .....	26
134: FRONT COUNTERWEIGHT – FLYJIB 1.5m (12.5° OFFSET) .....	27
201: REAR COUNTERWEIGHT - WINCH.....	28
202: REAR COUNTERWEIGHT - RHINO HOOK.....	29
205: REAR COUNTERWEIGHT - FLYJIB 3m (0° OFFSET) .....	30
206: REAR COUNTERWEIGHT - FLYJIB 3m (12.5° OFFSET).....	30
209: REAR COUNTERWEIGHT - MANBASKET .....	31
210: REAR COUNTERWEIGHT - FIXED LUG (BUTT) .....	31
211: REAR COUNTERWEIGHT - LUG 1.....	32
212: REAR COUNTERWEIGHT - LUG 2.....	33
227: REAR COUNTERWEIGHT – RUNNER 1 (0° OFFSET) - HOOK .....	34

230: REAR COUNTERWEIGHT – RUNNER 1 (0° OFFSET) - SHEAVE .....	34
228: REAR COUNTERWEIGHT – RUNNER 2 (15° OFFSET) - HOOK .....	35
231: REAR COUNTERWEIGHT – RUNNER 2 (15° OFFSET) - SHEAVE .....	35
229: REAR COUNTERWEIGHT – RUNNER 3 (20° OFFSET) - HOOK .....	36
232: REAR COUNTERWEIGHT – RUNNER 3 (20° OFFSET) - SHEAVE .....	36
233: REAR COUNTERWEIGHT – FLYJIB 1.5m (0° OFFSET) .....	37
234: REAR COUNTERWEIGHT – FLYJIB 1.5m (12.5° OFFSET) .....	38
301: REAR SL COUNTERWEIGHT - WINCH .....	39
302: REAR SL COUNTERWEIGHT - RHINO HOOK .....	40
305: REAR SL COUNTERWEIGHT - FLYJIB 3m (0° OFFSET).....	41
306: REAR SL COUNTERWEIGHT - FLYJIB 3m (12.5° OFFSET).....	41
309: REAR SL COUNTERWEIGHT - MANBASKET .....	42
310: REAR SL COUNTERWEIGHT - FIXED LUG (BUTT).....	42
311: REAR SL COUNTERWEIGHT - LUG 1 .....	43
312: REAR SL COUNTERWEIGHT - LUG 2 .....	44
327: REAR SL COUNTERWEIGHT – RUNNER 1 (0° OFFSET) - HOOK.....	45
330: REAR SL COUNTERWEIGHT – RUNNER 1 (0° OFFSET) - SHEAVE.....	45
328: REAR SL COUNTERWEIGHT – RUNNER 2 (15° OFFSET) - HOOK.....	46
331: REAR SL COUNTERWEIGHT – RUNNER 2 (15° OFFSET) - SHEAVE.....	46
329: REAR SL COUNTERWEIGHT – RUNNER 3 (20° OFFSET) - HOOK.....	47
332: REAR SL COUNTERWEIGHT – RUNNER 3 (20° OFFSET) - SHEAVE.....	47
333: REAR SL COUNTERWEIGHT – FLYJIB 1.5m (0° OFFSET).....	48
334: REAR SL COUNTERWEIGHT – FLYJIB 1.5m (12.5° OFFSET) .....	49

**AFTERMARKET CONTACTS LIST..... 50**

**NOTE: ALL PAGES MUST BE INCLUDED IN THIS BOOK.**

## WARNINGS

### OPERATIONAL NOTICE

 **DANGER**

IMPROPER CRANE USE, CARE OR OPERATION  
CAN CAUSE INJURY, DEATH OR PROPERTY  
DAMAGE.

DO NOT OPERATE THIS MACHINE UNLESS YOU  
HAVE READ AND UNDERSTAND THE OPERATOR'S  
MANUAL AND CRANE RATED CAPACITY MANUAL.

COPIES OF OPERATOR'S MANUALS AND CRANE RATED CAPACITY  
MANUAL MAY BE OBTAINED FROM:



**TEREX**<sup>®</sup>

### ATTACHMENT NOTICE

 **CAUTION**

WRITTEN AUTHORISATION IS REQUIRED FROM  
TEREX AUSTRALIA PTY LTD PRIOR TO THE USE OF  
ANY ATTACHMENT NOT SPECIFIED IN THE MANUAL.

## DEFINITIONS

**Articulation** – The crane pivots in the middle to allow steering and slewing of the load. Up to 40° Articulation is possible in either direction. See *Working Area diagram*

**Deration** – A decrease in the Rated Capacity due to external influences, expressed as a percentage.

**Freely Suspended Load** – Load hanging free with no direct external force applied except by the winch rope.

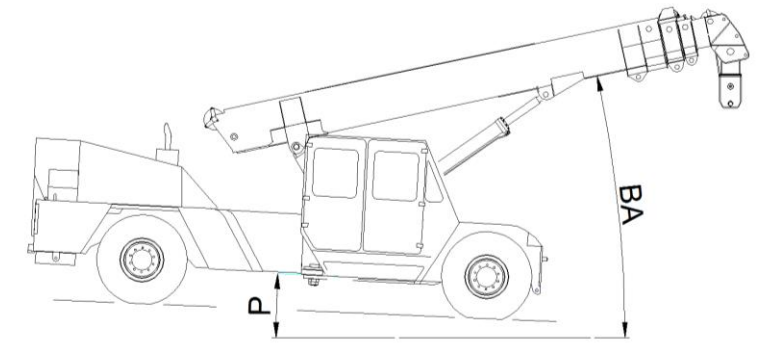
**Gradient:** Generalised slope of ground measured as a percentage.

**Load Radius** – The horizontal distance from the centre of the freely suspended hoisting hook perpendicular to a vertical plane containing the front axle.

**Loaded Boom Angle** – This is given to assist in setting up the crane only. It gives only an approximation of the Load Radius for a specified boom length. “Boom Angle” on Rated Capacity charts refers to the angle between the boom and true horizontal. (Refer to image below)

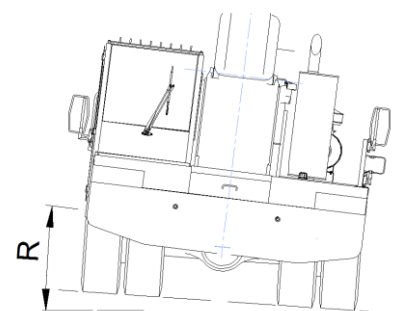
**Load Moment Indicator (LMI)** - A system that displays rated capacity for the given configuration. An audible warning sounds when rated capacity is approached and reached.

**Pitch Angle** – The forward tilt of the crane, the angle between the chassis of the front of the crane and true horizontal in the longitudinal direction. The pitch is positive when the front is higher than the rear. In the image shown, the pitch angle is negative.



**Rated Capacity (RC)** – The total Freely Suspended Load, including the mass of material and load handling equipment, that the machine can safely lift under ideal conditions at a given configuration.

**Roll** – The side tilt of the crane chassis, the angle between the front chassis of the crane and true horizontal. The roll angle is positive when the left side of the crane is higher than the right side. In the image shown, which is a view on the front of the crane, the roll angle is negative.



**Side Load** – Any external force applied either to the boom or load in a horizontal direction.

**Slope:** Generalised angle of the ground measured in degrees.

**Tilt:** Generalised combination of pitch and roll.

**Work Areas** – Area measured in an arc about the centre pivot as shown on the Working Area diagram.

## **SPECIAL PRECAUTIONS FOR ARTICULATED CRANES**

THERE IS A POTENTIAL FOR CRUSHING BETWEEN FRONT AND REAR CHASSIS WHEN THE MACHINE ARTICULATES. NEVER STAND IN THE PIVOT AREA WHEN THE ENGINE IS RUNNING OR EMERGENCY STEERING PUMP IS OPERATING. ALWAYS REMOVE THE KEY FROM THE IGNITION BEFORE WORKING IN THE PIVOT AREA.

DO NOT LEAVE IGNITION KEY SWITCHED ON WITH ENGINE STOPPED AND PARK BRAKE OFF, AS EMERGENCY HYDRAULIC STEERING PUMP WILL ACTIVATE.

### **GENERAL**

1. This machine has been designed to meet the requirements of AS1418.1 (2002) & 1418.5 (2002) and has been tested in accordance with these standards for pick and carry operation on tyres. The machine classification is C3.
2. Rated Capacities shown are for this machine as originally manufactured by Terex Australia Pty Ltd. The Rated Capacities only apply when all the instructions in this book are rigidly followed. Modifications to this machine or use of equipment other than that specified can result in a reduction in Rated Capacity.
3. If improperly operated or maintained, this machine can be hazardous. Operation and maintenance of this machine must be in compliance with the information documented in this rated capacity manual and in the operators, service and parts manuals furnished. If these manuals are missing, obtain replacements through Terex Australia Pty Ltd or their agents.

### **SET-UP**

4. Reduced crane Rated Capacities for the particular job shall be established, by the operator, with due allowance for adverse operating conditions. These conditions include the supporting surface, pendulum action of the load, jerking or sudden stops of the load and other factors affecting stability, two machine lifts, electrical wires, adverse weather, wind, hazardous surroundings, experience of personnel, etc.
5. Rated Capacity is based on Freely Suspended Loads. Lifting, or travelling with a load, on soft or uneven ground can be hazardous and will reduce the Rated Capacity of the crane. Refer to the section "Operation on Slope" for further information.
6. No attempt shall be made to drag the load along the ground in any direction.
7. Wind forces on the boom, resulting from winds up to 10 m/s (36 km/h), are incorporated in the Rated Capacity. Any additional Side Loading due to wind forces on the load will reduce the Rated Capacity, and must be considered.
8. Rated Capacities include the mass of hooks, blocks, slings and auxiliary lifting devices. Their mass must be subtracted, from the listed Rated Capacity, to determine the equivalent net load.

9. Loaded Boom Angles at specified boom lengths give only an approximation of the Load Radius. The Boom Angle before loading should be greater to account for boom deflection increasing the Load Radius as the load is lifted.

## OPERATION

10. Read and understand all warnings and instructional notes.
11. Do not tip the machine to determine allowable lifting capacities.
12. Loads may be lifted from:
  - The main boom head on the winch.
  - The rhino hook.
  - The fixed lug.
  - Either of the two sliding lugs on the boom.
  - A flyjib is also available to extend the maximum boom length
  - A “manbasket” can be pinned to the head of the boom.

Always use the correct Rated Capacity chart for the lifting point in use, and the position of the counterweight. Ensure the LMI is set to the correct duty.

**NOTE : Written authorisation from Terex Australia Pty Ltd is required prior to the use of any attachment not specified in the manual.**

13. “Crane mode” can only be engaged when “low range” is selected. Selecting “crane mode” will cause the front suspension lockouts to engage.
14. Lifting from more than one lifting point simultaneously is neither intended nor approved.
15. Handling of personnel from the boom is neither intended nor approved, except in a Terex Australia Pty Ltd supplied manbasket, correctly installed on the head of the boom, or other approved arrangement.
16. When either the boom length or Load Radius or both are between values listed, the smallest load shown at either the next larger Load Radius or boom length shall be used, or the interpolated value shown on the LMI may be used.
17. Side Loading of the machine and load swing out may cause structural failure or machine tip-over. Side Loads may be generated by:
  - Lifting when not level.
  - Sudden acceleration or deceleration
  - Sudden movement when articulating with a load.
  - Dragging a load.
  - Pushing a load.
  - Wind forces on load and boom structure.
18. It is safe to attempt to telescope any load within the limits of the Rated Capacity Manual. The maximum load that may be telescoped is limited by hydraulic pressure, Loaded Boom Angle and powered boom sections lubrication.

19. Boom extension 1 and boom extension 2 move simultaneously. The winch rope is fully compensated for boom extension when boom extensions 1 & 2 are being telescoped. Boom extension 3 is powered on the MAC 25 however there is no compensation of the winch rope as the third extension is being extended.  
Operator to take care to extend rope as required while boom extension 3 is being telescoped.
20. Do not allow the winch rope to unwind fully. Always ensure a minimum of 2 wraps of rope remain on the winch drum.
21. Rated Capacity depends on tyre rating, tyre condition and tyre inflation pressure. All tyres must be in good condition and must be inflated to the recommended pressure before attempting a lift.
22. Pick & carry operation is permitted through the full Articulation range, however, Rated Capacity is reduced when articulating. On the series 4 MAC 25, the LMI dynamically calculates rated capacity taking crane tilt and articulation into account.
23. The maximum speed for pick & carry operation is 0.4m/s (1.44km/h). The transfer case shall be set to low range.
24. Operation of this crane in excess of the Rated Capacity and disregard of the instructions is hazardous.

## LIFT AND CARRY OPERATION

Observe the following during travel with load on the crane:

- Keep the boom tip as close to the ground as possible by using:
  - The **MINIMUM** practical boom length
  - The **MINIMUM** practical Boom Angle.
- Keep the load as **CLOSE** to the ground as possible.
- Keep the load as **CLOSE** to the front of crane as possible
- Use the **MINIMUM** Articulation angle practical - **REMEMBER** the crane will side tilt when articulated and hence the hook will move towards the direction of Articulation whilst steering.
- Load swing greatly reduces stability – **REMEMBER** to tagline loads to prevent pendulum motion of the load. Travel and crane motions should be applied gently to minimise this effect.
- Always **REMEMBER**:
  - On flat ground - Increased articulation reduces load capacity
  - On sloping ground – Downhill articulation reduces load capacity.



## OPERATION ON SLOPE

The operation on slope of cranes that travel with a freely suspended loads should be avoided if at all possible (refer to AS 2550.5). Mobile Cranes are primarily designed to operate on firm, flat, level ground - within a 1% gradient (refer to AS 1418.5 (2002)). Any deviation from this requires that the Rated Capacity shall be reduced (derated) accordingly.

If it is necessary to operate on slope the precautions listed below must be taken.

- **REMEMBER** that surface depressions and potholes will create the same effect as a sloping surface.
- Ensure the ground condition is **FIRM** enough to support the axle loads.
- Ensure the tyres are inflated to the correct operating pressures.
- Keep the load on the **UPHILL** side of the crane where possible. **REMEMBER** the working Load Radius will increase if the load is suspended in the downhill position.

### NOTE:

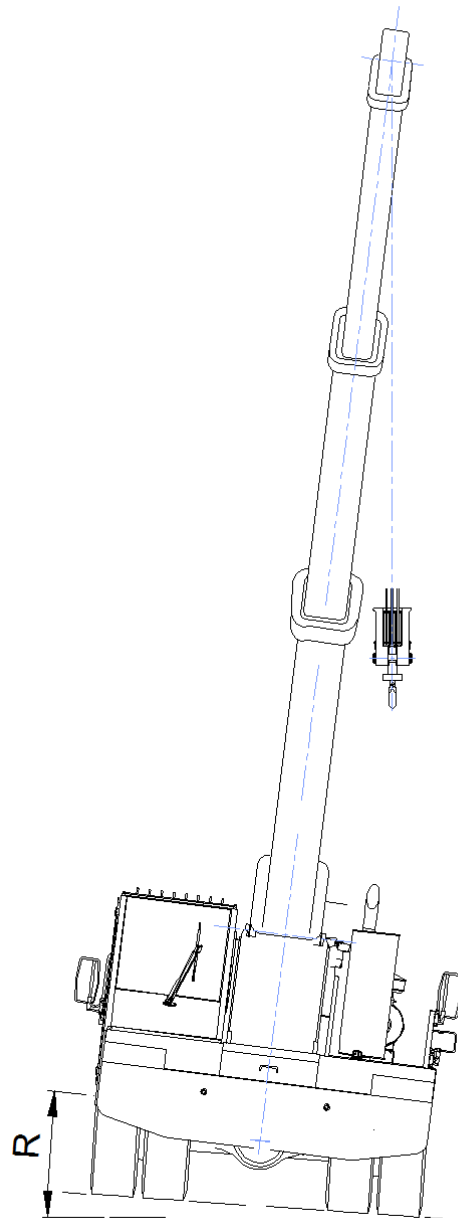
**The MAC 25 crane must at no time be operated on a slope greater than 5° (8.75% gradient).**

In order to determine the slide slope of a particular site the crane's LMI can be used to give an approximation. Before commencing the lift, drive the un-laden crane slowly across the sloping surface and note the maximum slope displayed. Take the reading when the crane's articulation is zero (straight ahead) and with the boom (fully retracted) in its lowest position practical.

The MAC 25 is fitted with an LMI that calculates the rated capacity for the crane when the crane tilts in any direction.

## SLOPE RATED CAPACITY

The degree of tilt of the front body results from a number of factors. Articulation of the crane induces tilt as does working on a slope. In combination the body tilt is increased when the load is on the **DOWNHILL** side of the crane (when the crane articulation direction is down a side slope).



The degree of tilt of the front body and boom is further increased by the deflection of the tyres. This is illustrated in Figure 1. For instance, a 5° ground side slope may result in chassis tilt of say 7°.

The LMI determines and displays the degree of body tilt measured by a sensor that is attached to the front body. This sensor measures the angle of the front body, not the angle of slope of the ground. When the crane is un-laden, the boom fully down, and the crane is at zero articulation, the body will be close to the same angle as the ground, for up to 5° slope.

This body tilt angle (the “Roll”) is used by the LMI to derate the crane as this is also the angle the boom has been tilted sideways. When lifting or carrying a load in slope situations, the tilt of the body will change as the weight of load is taken by the crane. In most circumstances, this change will be further derate the crane. Hence in planning a lift, it is important to be conservative on lift capacity in any circumstance where the lift will induce significant front body tilt.

## SPECIFICATIONS

### ATTACHMENT MASSES

Single part hook block	PL16M2090	30 kg
Four/six part hook block	PLMXA3033	230 kg
Rhino Hook	PLMXF3015	25 kg
8 tonne swivel hook	T167076	7 kg
9 tonne swivel hook	PP2190200	10 kg
25 tonne swivel hook	T167079	27 kg
25 tonne swivel hook	PP2087500	26 kg
15 tonne spreader bar	PL15A8023	107 kg
Adapter - Flyjib & Manbasket	PLMXF3018	25 kg
Flyjib (3m)	PL16A3056	79 kg
Mount arm - Manbasket	C2061	85 kg
Manbasket	C2062	130 kg
Flyjib (1.5m)	T169229	46 kg
Runner (Sheave)	T169059	109 kg
Runner (Hook lift)	T171669	110 kg

**NOTE : These masses apply only to Terex Australia Pty Ltd supplied equipment.**

### HOOK BLOCK

Hook Block:	Number of Falls of Rope	Maximum Hook Block RC (kg)
	1	4200
	2	8400
	4	16800
	6	25000

## WIRE ROPE

<b>Wire Rope:</b>	Rope: Non-rotating Compak 2070 MPa.	Ø14 mm 35W x 7
	Minimum Breaking Force:	165 kN
	Rope Length:	110 m

## TYRE SPECIFICATIONS

Condition	Speed	Rated Capacity (Min)
Pick & Carry	<1.44 km/h	10500 kg per tyre (dual fitment)
Highway	80 km/h	3000 kg per tyre (dual fitment)

## TYRE INFLATION CHART

Position	Construction	Inflation Pressure	
		Pick & Carry	Highway Travel
Front	14.00 x 20	830 kPa (120 psi)	620 – 830 kPa (90 – 120 psi)
Rear	14.00 x 20	620 kPa (90 psi)	620 kPa (90 psi)

## COUNTERWEIGHT DETAILS:

Moveable Counterweight:	T167697	1280 kg
SL counterweight	T167698	2153 kg

## MAC 25 Axle Loads:

Axle loads for un-laden crane, boom fully retracted and boom angle at 0°.

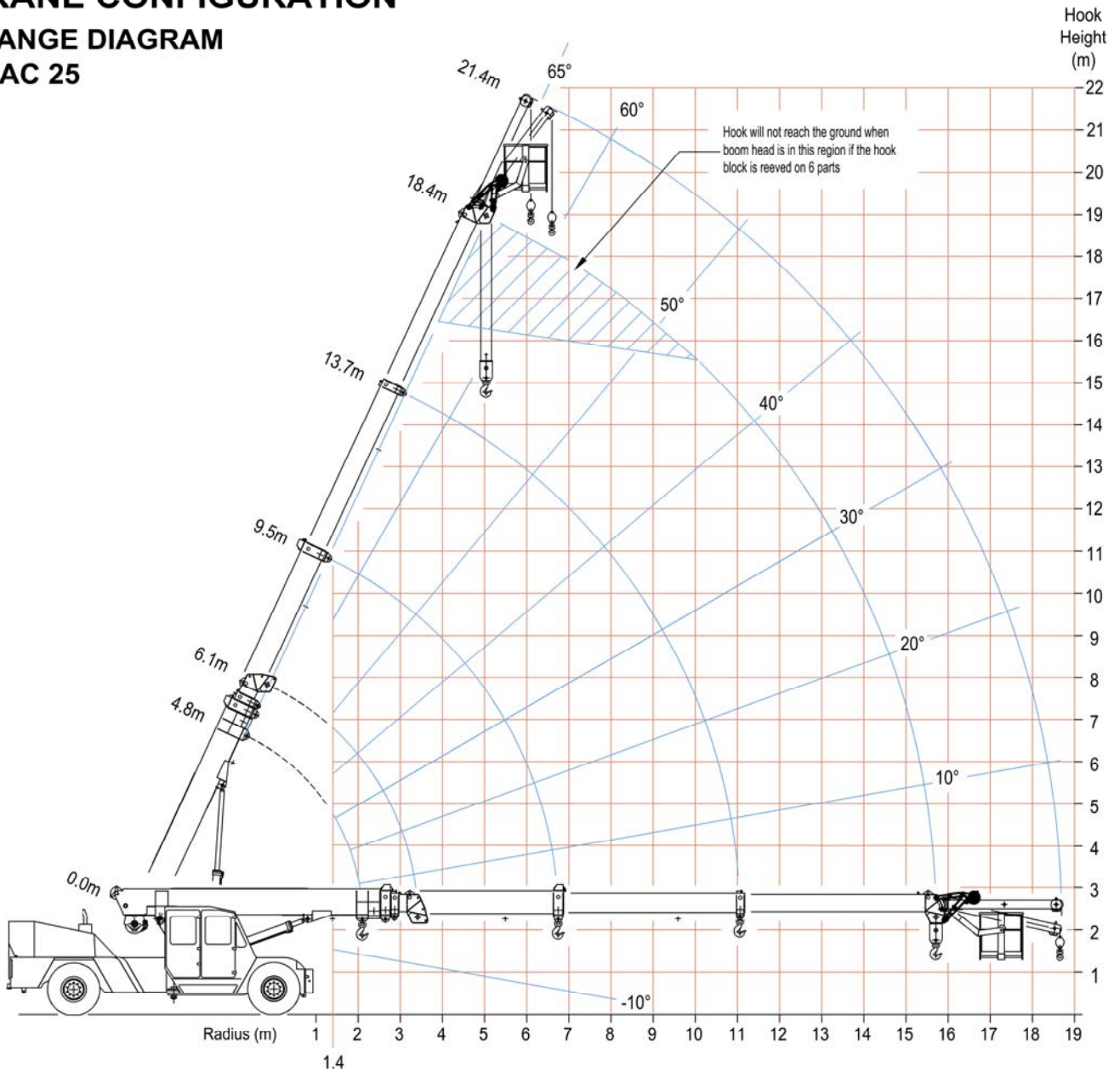
No counterweight on crane:	Front Axle: Rear Axle:	10330 kg 12290 kg
Counterweight on front:	Front Axle: Rear Axle:	11900 kg 12000 kg
Counterweight on rear:	Front Axle: Rear Axle:	10010 kg 13890 kg
Rear SL counterweight	Front Axle: Rear Axle:	9465 kg 16590 kg

**NOTE :** The MAC 25 must not be driven on public roads and highways with counterweight mounted on the rear of the crane.

# CRANE CONFIGURATION

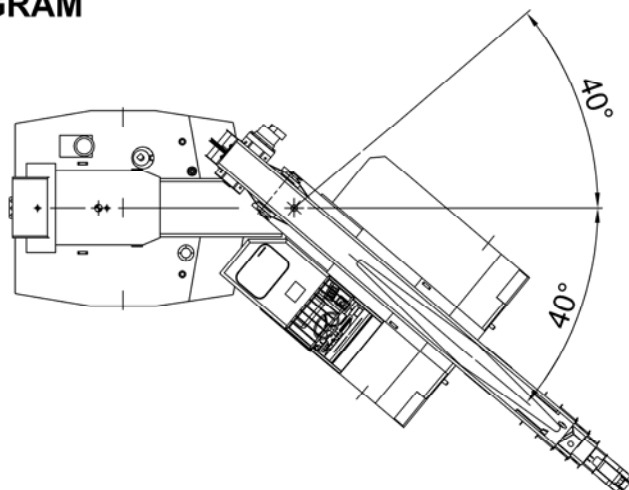
## RANGE DIAGRAM

### MAC 25



## WORKING AREA DIAGRAM

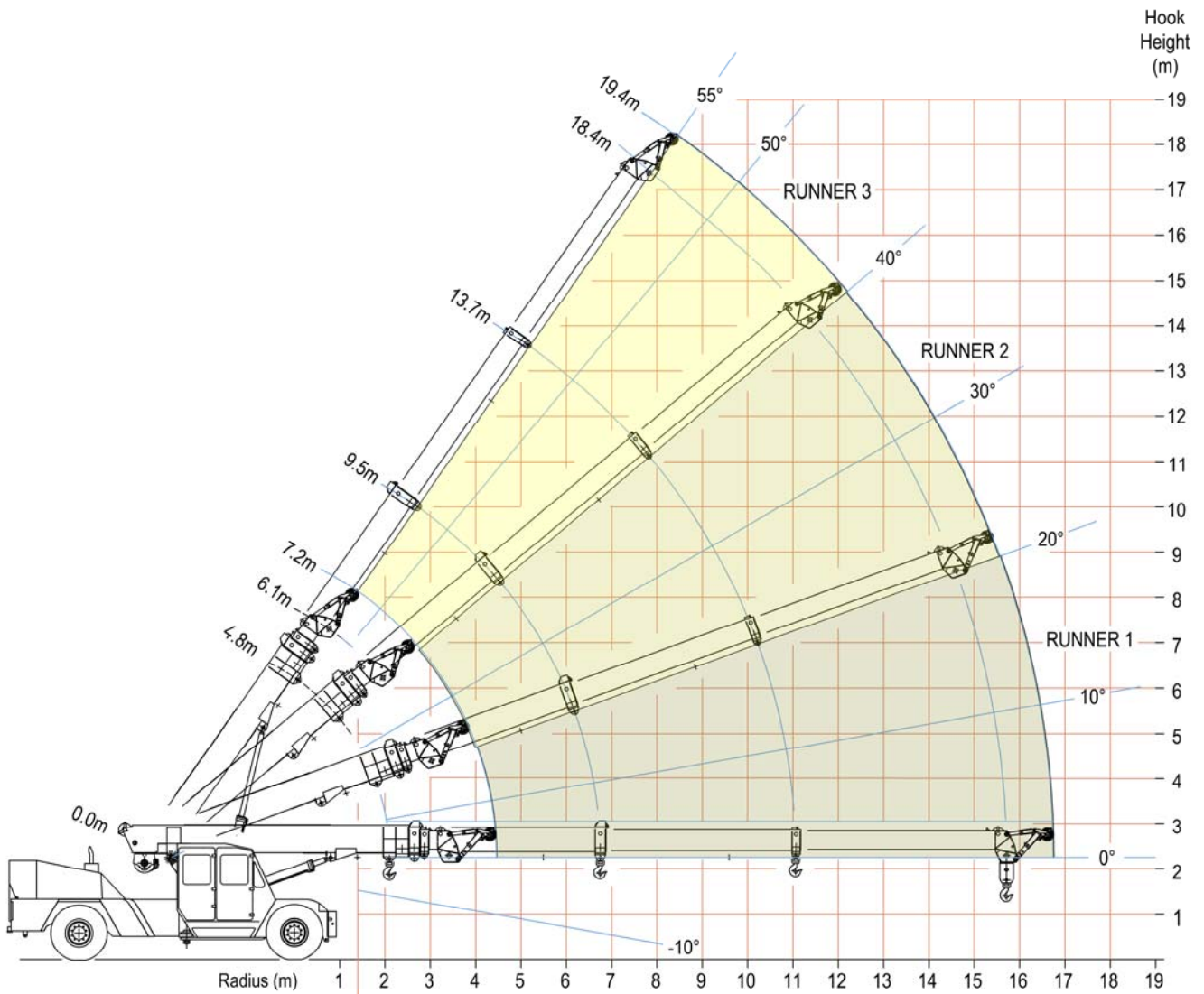
### MAC 25



# CRANE CONFIGURATION

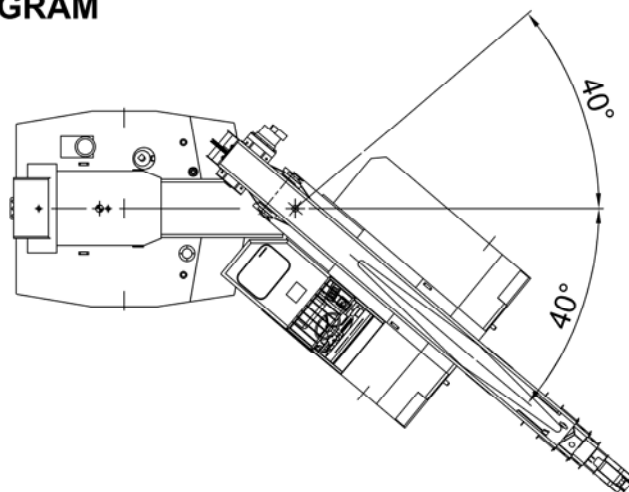
## RANGE DIAGRAM RUNNER

### MAC 25

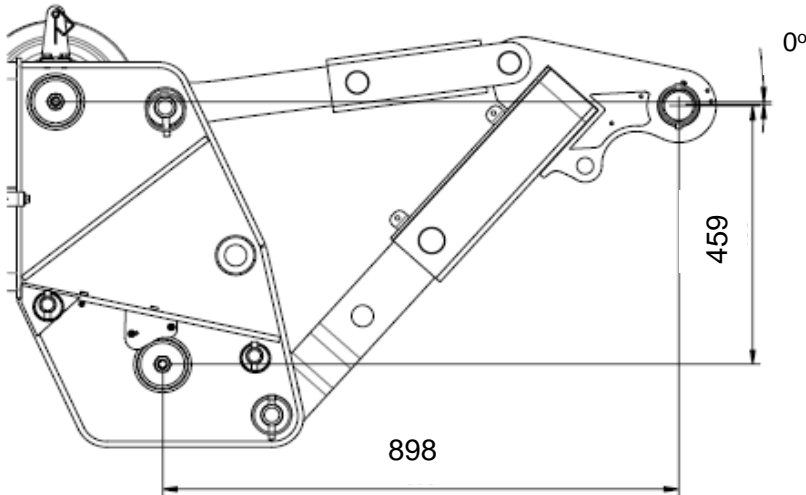


## WORKING AREA DIAGRAM

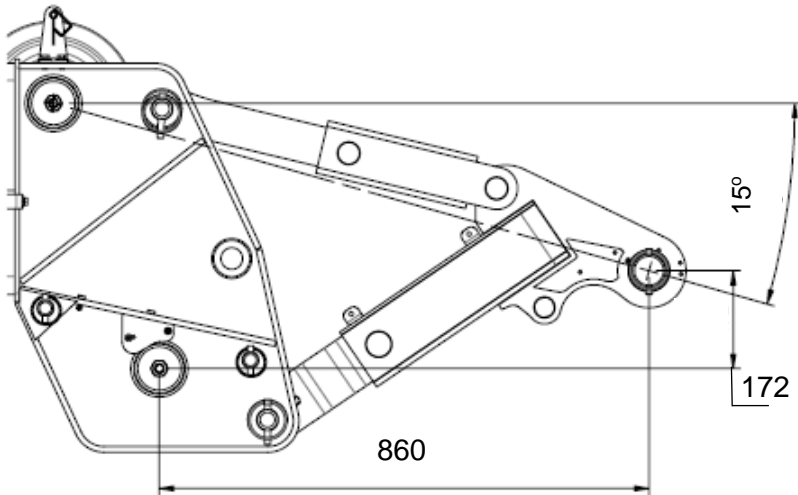
### MAC 25



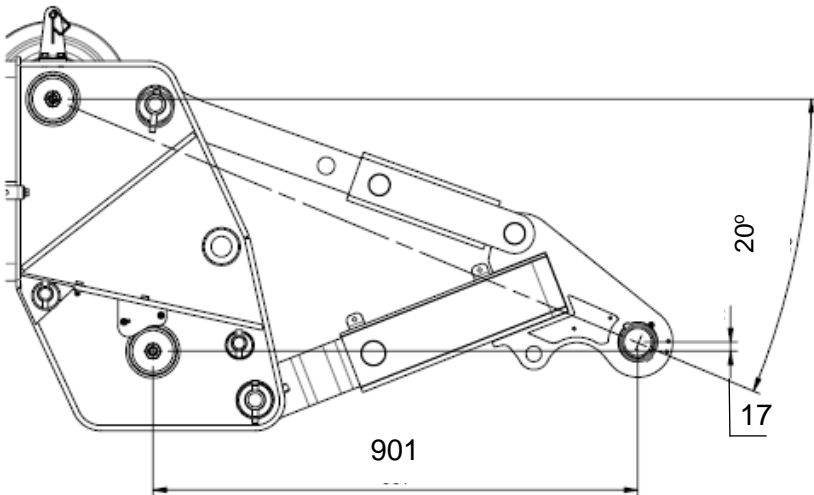
# CRANE CONFIGURATION (RUNNER)



RUNNER 1



RUNNER 2



RUNNER 3

# RATED CAPACITY CHARTS

## DUTY NUMBERS AND COUNTERWEIGHT POSITIONS

The MAC 25 crane is fitted with a moveable counterweight which is stored on the front of the crane during travel. The counterweight is mounted at the rear of the crane to increase the rated capacity.

Crane lifting configuration (Duty) is designated in this Rated Capacity Manual by the use of a three digit number. The first digit represents position of the counterweight, the second two designate the lifting configuration being used.

Counterweight Position	Duties
No counterweight on the crane (0):	001
Front Counterweight (1):	101 - 134
Rear Counterweight (2):	201 – 234
Rear SL counterweight (3):	301 - 334

## CHART RELATED INFORMATION

- Pitch and Roll angles: Rated capacity values in the charts for the MAC 25 crane at 25° & at 40° articulation have been calculated using pitch and roll values consistent with lifting on firm level ground.
- Red Line on charts: Rated Capacities above the red line are based on the machine's hydraulic or structural competence. Rated Capacities below the red line are based on machine stability.
- RC are based on firm level ground with tyres at specified pressures. (AS1418.5: 1% max side slope (0.6°)).

**NOTE:** In determining the load that can be lifted, the weight of hooks & other load handling devices (including the fall block) shall be ADDED to the load being lifted.

# RATED CAPACITY CHART - FALL BLOCK

Duty: **001**

COUNTERWEIGHT NONE  
 POSITION: N.A.

Rad	BOOM LENGTH - 3rd BOOM RETRACTED													3rd BOOM EXTENDING				Rad
	6.12	6.50	7.00	7.50	8.00	8.50	9.00	9.50	10.00	11.00	12.00	13.00	14.00	15.00	16.00	17.00	18.42	
1.4	25000	25000	25000	25000	24500	23950	23550											1.4
	24600	24600	24550	24550	24550	24000	23600											
	49	52	56	58	61	63	65											
2.0	20450	20450	20400	20350	20300	20300	20250	20200										2.0
	18400	18350	18300	18300	18250	18200	18200	18150	18150									
	41	45	49	52	55	58	60	62	64									
2.5	16050	16050	16050	16000	15950	15950	15900	15900	15900	15850								2.5
	15400	15400	15350	15350	15300	15300	15250	15250	15200	15200								
	14400	14400	14350	14350	14300	14300	14250	14250	14250	14200								
3.0	13150	13150	13100	13100	13050	13050	13050	13000	13000	12950	12950							3.0
	12600	12600	12550	12550	12500	12500	12500	12450	12450	12400	12400							
	11750	11750	11750	11700	11700	11650	11650	11650	11600	11600	11050							
3.5	11050	11050	11000	11000	11000	11000	10950	10950	10950	10900	10900	10850						3.5
	10550	10550	10550	10550	10500	10500	10500	10450	10450	10450	10400	10400						
	9850	9850	9850	9850	9800	9800	9800	9750	9750	9700	9600	8800						
4.0	(3.5)	19	28	35	40	44	47	50	53	57	61	63						4.0
	9800	9450	9450	9450	9400	9400	9400	9400	9400	9350	9350	9300	9300					
	9350	9050	9050	9050	9000	9000	9000	9000	8950	8950	8900	8900	8900					
5.0	8750	8400	8400	8400	8400	8400	8350	8350	8350	8300	8300	7800	7250					5.0
	(3.9)	18	27	34	39	43	46	49	54	58	61	63						
	8500	7450	7250	7250	7250	7200	7200	7200	7200	7150	7150	7150	7200	7300	7350			
6.0	8100	7100	6900	6900	6900	6900	6900	6850	6850	6800	6800	6800	6850	6950	7050			6.0
	7550	6600	6400	6400	6400	6400	6400	6400	6350	6350	6300	5850	5600	5400	5200			
	(4.4)	(4.9)	17	26	32	37	40	46	51	55	58	61	63	65				
7.0	6600	5900	5750	5750	5750	5750	5750	5750	5750	5700	5700	5750	5850	5900	6000			7.0
	6300	5600	5500	5500	5500	5500	5500	5450	5450	5450	5400	5500	5550	5650	5750			
	5850	5200	5050	5050	5050	5050	5050	5050	5050	5050	5000	4900	4700	4550	4400	4200		
8.0	(5.4)	(5.9)	16	24	30	38	44	49	53	56	59	61	64					8.0
	5300	4800	4700	4700	4700	4700	4700	4700	4650	4750	4800	4900	4950					
	5050	4550	4450	4450	4450	4450	4450	4450	4450	4500	4550	4650	4750					
9.0	4650	4200	4100	4100	4100	4100	4100	4100	4100	4050	3900	3800	3650					9.0
	(6.4)	(6.9)	15	29	37	42	47	51	54	57	60							
	4350	3900	3900	3900	3900	3900	3900	3900	3950	4050	4100	4200						
10.0	4150	3700	3700	3700	3700	3700	3700	3700	3750	3850	3900	4000						10.0
	3800	3400	3400	3400	3400	3400	3400	3400	3450	3400	3300	3200						
	(7.4)	14	27	35	41	45	49	52	56									
11.0	3650	3300	3300	3300	3350	3450	3500	3600										11.0
	3450	3100	3100	3100	3150	3250	3300	3400										
	3150	2850	2850	2850	2900	2950	2950	2850										
12.0	(8.4)	14	26	34	39	44	47	52										12.0
	3100	2800	2800	2850	2950	3000	3100											
	2900	2650	2650	2700	2800	2850	2950											
13.0	2650	2400	2400	2450	2550	2600	2550											13.0
	(9.4)	13	25	33	38	42	47											
	2650	2400	2450	2550	2600	2700												
14.0	2450	2250	2300	2400	2450	2500	2550											14.0
	2250	2000	2100	2150	2250	2300												
	(10.4)	13	24	32	37	43												
15.0	2000	1900	2000	2100														15.0
	1850	1800	1850	1950														
	1650	1600	1650	1750														
15.71	(12.4)	12	23	32														15.71
	1800	1750	1850															
	1500	1450	1550															
15.8	(13.4)	12	25															15.8
	1650	1600	1650	1750														
	1350	1350																
15.8	(14.4)	17																15.8
	1450																	
	1200																	
12.00	13.00	14.00	15.00	16.00	17.00	18.42												

**WINCH RATED CAPACITY**  
 SINGLE PART 4200  
 TWO PARTS 8400  
 FOUR PARTS 16800  
 SIX PARTS 25000

**UNITS:**  
 - ANGLES IN DEGREES  
 - LENGTHS IN METRES  
 - LOAD IN KILOGRAMS

**KEY:**

7300	RC @ ARTIC: 0°	PITCH: -2.3	ROLL: -1.0
6950	RC @ ARTIC: 25°	PITCH: -2.3	ROLL: -3.0
5400	RC @ ARTIC: 40°	PITCH: -2.3	ROLL: -3.5
63	BOOM ANGLE		
(5.4)	RADIUS AT ZERO BOOM ANGLE		

Note: Pitch & Roll angles indicated are representative of lifts based on firm level ground with tyres at specified pressures.



# RATED CAPACITY CHART - FALL BLOCK

Duty: **101**

COUNTERWEIGHT POSITION: STANDARD FRONT OF CRANE

Rad	BOOM LENGTH - 3rd BOOM RETRACTED													3rd BOOM EXTENDING				Rad
	6.12	6.50	7.00	7.50	8.00	8.50	9.00	9.50	10.00	11.00	12.00	13.00	14.00	15.00	16.00	17.00	18.42	
1.4	24000	23950	23950	23950	23900	23900	23550											1.4
	23450	23450	23400	23400	23400	23350	23350											
	49	52	56	58	61	63	65											
2.0	20100	20050	20050	20000	19950	19950	19900	19850	19850									2.0
	18050	18000	17950	17900	17900	17850	17850	17800	17800									
	41	45	49	52	55	58	60	62	64									
2.5	15800	15750	15750	15700	15700	15650	15650	15600	15600	15550								2.5
	15100	15100	15050	15050	15000	15000	14950	14950	14950	14900								
	14150	14100	14100	14050	14050	14000	14000	13950	13950	13900								
3.0	12900	12900	12850	12850	12850	12800	12800	12750	12750	12700	12700							3.0
	12350	12350	12300	12300	12300	12250	12250	12200	12200	12150	12150							
	11500	11500	11500	11450	11450	11400	11400	11350	11350	11300	11300							
3.5	10850	10800	10800	10800	10800	10750	10750	10750	10700	10700	10650	10650						3.5
	10350	10350	10350	10350	10300	10300	10300	10250	10250	10200	10200	10200						
	9650	9650	9650	9600	9600	9600	9550	9550	9550	9500	9500	9100						
4.0	(3.5)	19	28	35	40	44	47	50	53	57	61	63						4.0
	9600	9250	9250	9250	9250	9250	9200	9200	9200	9150	9150	9150	9100					
	9200	8850	8850	8850	8850	8800	8800	8800	8800	8750	8750	8700	8700					
5.0	8550	8250	8250	8200	8200	8200	8200	8150	8150	8100	8050	7450						5.0
	(3.9)	18	27	34	39	43	46	49	54	58	61	63						
	8300	7300	7100	7100	7100	7050	7050	7050	7000	7000	7000	7050	7150	7250				
6.0	7950	6950	6750	6750	6750	6750	6750	6700	6700	6700	6650	6650	6800	6900				6.0
	7350	6450	6250	6250	6250	6250	6250	6250	6200	6200	6200	6050	5800	5550	5350			
	(4.4)	(4.9)	17	26	32	37	40	46	51	55	58	61	63	65				
7.0	6450	5750	5650	5650	5650	5600	5600	5600	5600	5600	5600	5650	5700	5800	5900			7.0
	6150	5500	5350	5350	5350	5350	5350	5350	5300	5300	5300	5350	5450	5500	5600			
	5700	5050	4950	4950	4950	4950	4950	4900	4900	4900	4900	4850	4700	4550	4350			
8.0	(5.4)	(5.9)	16	24	30	38	44	49	53	56	59	61	64					8.0
	5200	4700	4600	4600	4600	4600	4600	4600	4550	4600	4700	4800	4850					
	4950	4450	4350	4350	4350	4350	4350	4350	4400	4450	4550	4650						
9.0	4550	4100	4000	4000	4000	4000	4000	3950	4050	4050	3950	3800						9.0
	(6.4)	(6.9)	15	29	37	42	47	51	54	57	60							
	4250	3800	3800	3800	3800	3800	3800	3800	3850	3950	4000	4100						
10.0	4050	3600	3600	3600	3600	3600	3600	3650	3750	3800	3900							10.0
	3700	3300	3300	3300	3300	3300	3300	3350	3450	3450	3350							
	(7.4)	14	27	35	41	45	49	52	56									
11.0	3550	3200	3200	3200	3200	3200	3250	3350	3400	3500								11.0
	3350	3050	3050	3000	3100	3150	3250	3300	3300	3300								
	3050	2750	2750	2750	2800	2900	2950	2950										
12.0	(8.4)	14	26	34	39	44	47	52										12.0
	3000	2750	2750	2800	2850	2950	3000											
	2850	2550	2550	2600	2700	2750	2850											
13.0	2550	2300	2300	2400	2450	2500	2600											13.0
	(9.4)	13	25	33	38	42	47											
	2550	2350	2400	2500	2550	2650												
14.0	2400	2200	2250	2350	2400	2500												14.0
	2150	1950	2000	2100	2150	2250												
	(10.4)	13	24	32	37	43												
15.0	2050	1900	2000	2100	2150													15.0
	1850	1700	1800	1850	1950													
	(11.4)	12	24	31	38													
15.71	1950	1850	1950	2000														15.71
	1800	1750	1800	1900														
	1600	1550	1600	1700														
17.0	(12.4)	12	23	32														17.0
	1750	1700	1800															
	1450	1400	1500															
18.42	(13.4)	12	25															18.42
	1600	1550	1600	1700														
	1300	1300																
18.42	(14.4)	17																18.42
	1400																	
	1150																	
18.42	(15.8)																	18.42
	1200	1300	1400	1500	1600	1700	1800											
	1100	1200	1300	1400	1500	1600	1700	1800										

**WINCH RATED CAPACITY**  
 SINGLE PART 4200  
 TWO PARTS 8400  
 FOUR PARTS 16800  
 SIX PARTS 25000

**UNITS:**  
 - ANGLES IN DEGREES  
 - LENGTHS IN METRES  
 - LOAD IN KILOGRAMS

**KEY:**

7150	RC @ ARTIC: 0°	PITCH: -2.3	ROLL: -1.0
6800	RC @ ARTIC: 25°	PITCH: -2.3	ROLL: -3.0
5550	RC @ ARTIC: 40°	PITCH: -2.3	ROLL: -3.5
63	BOOM ANGLE		
(5.4)	RADIUS AT ZERO BOOM ANGLE		

Note: Pitch & Roll angles indicated are representative of lifts based on firm level ground with tyres at specified pressures.

# RATED CAPACITY CHART - RHINO HOOK

Duty: **102**

COUNTERWEIGHT POSITION: STANDARD FRONT OF CRANE

Rad	BOOM LENGTH - 3rd BOOM RETRACTED													3rd BOOM EXTENDING				Rad
	6.45	7.00	7.50	8.00	8.50	9.00	9.50	10.00	10.50	11.00	12.00	13.00	14.00	15.00	17.00	18.00	18.75	
1.4	15000	15000	15000	15000	15000	15000												1.4
	15000	15000	15000	15000	15000	15000												
2.0	52	56	59	61	64	65												2.0
	15000	15000	15000	15000	15000	15000	15000	15000										
2.5	45	50	53	56	58	61	63	64										2.5
	15000	15000	15000	15000	15000	15000	15000	15000	15000	15000								
3.0	15000	15000	15000	15000	15000	15000	15000	15000	15000	15000								3.0
	14300	14250	14250	14200	14150	14150	14100	14100	14050	14050								
3.5	38	44	48	51	54	57	59	61	63	64								3.5
	13050	13050	13000	12950	12950	12900	12900	12900	12850	12850	12800							
4.0	29	37	42	46	49	52	55	57	59	61	64							4.0
	12500	12500	12450	12400	12400	12350	12350	12350	12300	12300	12250							
5.0	29	37	42	46	49	52	55	57	59	61	64							5.0
	11700	11650	11650	11600	11550	11550	11500	11500	11450	11450								
6.0	(3.8)	29	36	41	45	48	51	53	56	58	61	64						6.0
	10950	10950	10950	10900	10900	10900	10850	10850	10800	10800	10750	10750						
7.0	(4.4)	28	34	39	43	47	49	52	54	58	61	64						7.0
	10500	10500	10450	10450	10450	10400	10400	10350	10350	10350	10300	10250						
8.0	(4.9)	(5.4)	26	32	37	41	44	47	52	55	58	61	65					8.0
	9800	9800	9750	9750	9700	9700	9650	9650	9600	9600	9500	9500						
9.0	(5.9)	(6.4)	25	31	35	39	45	49	53	56	61	63	65					9.0
	9400	9400	9400	9350	9350	9300	9300	9300	9250	9250	9200	9200						
10.0	(7.9)	15	28	35	41	46	52	55	58	61	64							10.0
	9000	9000	8950	8950	8950	8900	8900	8850	8850	8850	8800	8800						
11.0	(8.4)	14	27	34	40	48	51	57	59	61	64							11.0
	8350	8350	8350	8300	8300	8300	8250	8250	8250	8200	8100	7550						
12.0	(9.4)	14	26	33	43	46	52	55	58	61	64							12.0
	8000	8000	7950	7950	7900	7900	7850	7850	7800	7800	7750	7700						
13.0	(10.4)	13	25	37	41	44	47	52	55	58	61	65						13.0
	7700	7700	7650	7650	7600	7600	7550	7550	7500	7500	7450	7400						
14.0	(11.4)	13	31	36	39	45	49	53	56	61	63	65						14.0
	7400	7400	7350	7350	7300	7300	7250	7250	7200	7200	7150	7100	7050	7100	7250			
15.0	(12.4)	23	30	34	37	41	44	47	52	55	58	61	65					15.0
	7100	7100	7050	7050	7000	7000	6950	6950	6900	6900	6850	6800	6750	6750	6950			
16.1	(13.4)	23	30	34	37	41	44	47	52	55	58	61	65					16.1
	6850	6850	6800	6800	6750	6750	6700	6700	6650	6650	6600	6550	6500	6500	6700	6950	5950	
17.0	(14.4)	22	28	33	36	39	43	46	49	53	56	61	63	65				17.0
	6600	6600	6550	6550	6500	6500	6450	6450	6400	6400	6350	6300	6250	6250	6450	6700	6950	
18.0	(15.4)	20	26	31	34	37	41	44	47	52	55	58	61	65				18.0
	6400	6400	6350	6350	6300	6300	6250	6250	6200	6200	6150	6100	6050	6050	6250	6500	6750	
19.0	(16.4)	20	26	31	34	37	41	44	47	52	55	58	61	65				19.0
	6150	6150	6100	6100	6050	6050	6000	6000	5950	5950	5900	5850	5800	5800	6000	6250	6500	
20.0	(17.4)	20	26	31	34	37	41	44	47	52	55	58	61	65				20.0
	5900	5900	5850	5850	5800	5800	5750	5750	5700	5700	5650	5600	5550	5500	5700	5950	6200	
21.0	(18.4)	20	26	31	34	37	41	44	47	52	55	58	61	65				21.0
	5650	5650	5600	5600	5550	5550	5500	5500	5450	5450	5400	5350	5300	5250	5450	5700	5950	
22.0	(19.4)	20	26	31	34	37	41	44	47	52	55	58	61	65				22.0
	5400	5400	5350	5350	5300	5300	5250	5250	5200	5200	5150	5100	5050	5050	5250	5500	5750	
23.0	(20.4)	20	26	31	34	37	41	44	47	52	55	58	61	65				23.0
	5150	5150	5100	5100	5050	5050	5000	5000	4950	4950	4900	4850	4800	4800	5000	5250	5500	
24.0	(21.4)	20	26	31	34	37	41	44	47	52	55	58	61	65				24.0
	4900	4900	4850	4850	4800	4800	4750	4750	4700	4700	4650	4600	4550	4500	4700	4950	5200	
25.0	(22.4)	20	26	31	34	37	41	44	47	52	55	58	61	65				25.0
	4650	4650	4600	4600	4550	4550	4500	4500	4450	4450	4400	4350	4300	4300	4500	4750	5000	
26.0	(23.4)	20	26	31	34	37	41	44	47	52	55	58	61	65				26.0
	4400	4400	4350	4350	4300	4300	4250	4250	4200	4200	4150	4100	4050	4050	4250	4500	4750	
27.0	(24.4)	20	26	31	34	37	41	44	47	52	55	58	61	65				27.0
	4150	4150	4100	4100	4050	4050	4000	4000	3950	3950	3900	3850	3800	3800	4000	4250	4500	
28.0	(25.4)	20	26	31	34	37	41	44	47	52	55	58	61	65				28.0
	3900	3900	3850	3850	3800	3800	3750	3750	3700	3700	3650	3600	3550	3550	3750	4000	4250	
29.0	(26.4)	20	26	31	34	37	41	44	47	52	55	58	61	65				29.0
	3650	3650	3600	3600	3550	3550	3500	3500	3450	3450	3400	3350	3300	3300	3500	3750	4000	
30.0	(27.4)	20	26	31	34	37	41	44	47	52	55	58	61	65				30.0
	3400	3400	3350	3350	3300	3300	3250	3250	3200	3200	3150	3100	3050	3050	3250	3500	3750	
31.0	(28.4)	20	26	31	34	37	41	44	47	52	55	58	61	65				31.0
	3150	3150	3100	3100	3050	3050	3000	3000	2950	2950	2900	2850	2800	2800	3000	3250	3500	
32.0	(29.4)	20	26	31	34	37	41	44	47	52	55	58	61	65				32.0
	2900	2900	2850	2850	2800	2800	2750	2750	2700	2700	2650	2600	2550	2550	2750	3000	3250	
33.0	(30.4)	20	26	31	34	37	41	44	47	52	55	58	61	65				33.0
	2650	2650	2600	2600	2550	2550	2500	2500	2450	2450	2400	2350	2300	2300	2500	2750	3000	
34.0	(31.4)	20	26	31	34	37	41	44	47	52	55	58	61	65				34.0
	2400	2400	2350	2350	2300	2300	2250	2250	2200	2200	2150	2100	2050	2050	2250	2500	2750	
35.0	(32.4)	20	26	31	34	37	41	44	47	52	55	58	61	65				35.0
	2150	2150	2100	2100	2050	2050	2000	2000	1950	1950	1900	1850	1800	1800	2000	2250	2500	
36.0	(33.4)	20	26	31	34	37	41	44	47	52	55	58	61	65				36.0
	1900	1900	1850	1850	1800	1800	1750	1750	1700	1700	1650	1600	1550	1550	1750	2000	2250	
37.0	(34.4)	20	26	31	34	37	41	44	47	52	55	58	61	65				37.0
	1650	1650	1600	1600	1550	1550	1500	1500	1450	1450	1400	1350	1300	1300	1500	1750	2000	
38.0	(35.4)	20	26	31	34	37	41	44	47	52	55	58	61	65				38.0
	1400	1400	1350	1350	1300	1300	1250	1250	1200	1200	1150	1100	1050	1050	1250	1500	1750	
39.0	(36.4)	20	26	31	34	37	41	44	47	52	55	58	61	65				39.0
	1150	1150	1100	1100	1050	1050	1000	1000	950	950	900							

# RATED CAPACITY CHART - FLYJIB (3m)

COUNTERWEIGHT STANDARD  
 POSITION: FRONT OF CRANE

Duty: **105**

Duty: **106**

## FLYJIB at 0° OFFSET

Duty: **105**

Rad	RC
6.1	1500
	1440
7.8	1500
	1370
9.3	1340
	1220
10.8	1200
	1080
12.2	1080
	1010
13.5	970
	900
14.7	900
	840
15.7	850
	800
16.6	800
	750
17.3	770
	730
17.9	760
	730
18.3	750
	720
18.6	750
	720
18.7	750
	720
	0

## FLYJIB at 12.5° OFFSET

Duty: **106**

Rad	RC
6.6	1500
	1440
8.2	1500
	1370
9.8	1340
	1220
11.2	1200
	1080
12.6	1080
	1010
13.8	970
	900
14.9	900
	840
15.9	850
	800
16.8	800
	750
17.5	770
	730
18.0	760
	730
18.4	750
	720
18.6	750
	720
18.7	750
	720
	0

**NOTE:**

- RATED CAPACITY IS BASED ON THE STRENGTH OF THE FLYJIB ALONE - RC IS THE SAME FOR ALL BOOM LENGTHS.

**UNITS:**

- ANGLES IN DEGREES
- LENGTHS IN METRES
- LOAD IN KILOGRAMS

**KEY:**

970	RC @ ARTIC: 0°	PITCH: -2.3	ROLL: -1.0
900	RC @ ARTIC: 40°	PITCH: -2.3	ROLL: -3.5
40	Boom Angle		

Note: Pitch & Roll angles indicated are representative of lifts based on firm level ground with tyres at specified pressures.

# RATED CAPACITY CHART

COUNTERWEIGHT STANDARD  
 POSITION: FRONT OF CRANE

Duty: **109**

Duty: **110**

## MANBASKET

Duty: **109**

Rad	RC
6.0	275
	275
	65
7.5	275
	275
	60
9.0	275
	275
	55
10.3	275
	275
	50
11.6	275
	275
	45
12.8	275
	275
	40
13.8	275
	275
	35
14.7	275
	275
	30
15.5	275
	275
	25
16.1	275
	246
	20
16.6	275
	216
	15
17.0	275
	195
	10
17.2	275
	182
	5.0
17.3	264
	176
	0

## FIXED LUG (BUTT)

Duty: **110**

Rad	RC
1.4	23600
	23050
1.5	33
	23200
	22600
1.6	31
	22800
	21900
1.7	29
	22400
	20500
1.8	25.9
	21550
	19250
1.9	23
	20300
	18100
2.0	20
	19150
	17100
2.2	16
	17400
	15500
	0

**NOTE:**

MANBASKET RATED CAPACITY INCLUDES ALL PERSONELL AND ALL EQUIPMENT.

**UNITS:**

- ANGLES IN DEGREES
- LENGTHS IN METRES
- LOAD IN KILOGRAMS

**KEY:**

275	RC @ ARTIC: 0°	PITCH: -2.3	ROLL: -1.0
216	RC @ ARTIC: 40°	PITCH: -2.3	ROLL: -3.5
15	Boom Angle		

Note: Pitch & Roll angles indicated are representative of lifts based on firm level ground with tyres at specified pressures.

# RATED CAPACITY CHART - LUG 1

Duty: **111**

COUNTERWEIGHT POSITION: STANDARD FRONT OF CRANE

Rad	BOOM LENGTH									Rad
	5.36	6.00	6.50	7.00	7.50	8.00	8.50	9.00	9.46	
1.4	23800	23650	23500	23400	23350	23250	23200	23150		1.4
	23250	23050	22950	22850	22750	22650	22600	21350		
	42	49	53	56	59	61	63	65		
2.0	19650	19250	19000	18800	18600	18400	18250	18100	18000	2.0
	17550	17200	16950	16700	16500	16350	16200	16050	15950	
	30	40	45	49	53	56	58	61	62	
2.5	15350	15050	14800	14650	14450	14300	14150	14050	13950	2.5
	14650	14350	14150	13950	13800	13650	13500	13400	13300	
	13700	13400	13150	12950	12800	12650	12500	12400	12300	
3.0	13900	12200	12000	11850	11700	11550	11450	11350	11250	3.0
	13300	11650	11450	11300	11150	11000	10900	10800	10700	
	12350	10800	10650	10500	10300	10200	10050	9950	9850	
3.5	(2.7)	20	30	37	42	46	49	52	55	3.5
		10600	10000	9850	9750	9600	9500	9400	9300	
		10100	9550	9400	9250	9150	9000	8900	8850	
4.0		9400	8800	8700	8550	8450	8300	8200	8150	4.0
		(3.4)	19	29	35	40	44	48	50	
			8800	8350	8250	8150	8050	7950	7850	
5.0			8400	7950	7850	7700	7600	7550	7450	5.0
			7750	7300	7200	7100	7000	6900	6850	
			(3.9)	19	28	34	39	43	46	
6.0				7450	6350	6050	5950	5900	5800	6.0
				7050	6000	5700	5650	5550	5500	
				6500	5500	5200	5150	5050	5000	
6.8				(4.4)	(4.9)	17	26	32	36	6.8
						5450	4700	4500	4450	
						5150	4400	4250	4200	
6.8						4700	4000	3800	3750	6.8
						(5.4)	(5.9)	16	24	
								4100	3600	
								3450	3000	
								(6.4)	(6.8)	
	5.36	6.00	6.50	7.00	7.50	8.00	8.50	9.00	9.50	

**UNITS:**

- ANGLES IN DEGREES
- LENGTHS IN METRES
- LOAD IN KILOGRAMS

**KEY:**

8150	RC @ ARTIC: 0°	PITCH: -2.3	ROLL: -1.0
7700	RC @ ARTIC: 25°	PITCH: -2.3	ROLL: -3.0
7100	RC @ ARTIC: 40°	PITCH: -2.3	ROLL: -3.5
34	BOOM ANGLE		
(3.9)	RADIUS AT ZERO BOOM ANGLE		

Note: Pitch & Roll angles indicated are representative of lifts based on firm level ground with tyres at specified pressures.

# RATED CAPACITY CHART - LUG 2

Duty: **112**

COUNTERWEIGHT POSITION: STANDARD FRONT OF CRANE

Rad	BOOM LENGTH													Rad	
	5.57	6.50	7.00	7.50	8.00	8.50	9.00	9.50	10.00	11.00	12.00	13.00	13.77		
1.4	23850	23850	23800	23800	23800	23800	23800								1.4
	23300	23300	23300	23250	23250	23250	23250								
	44	52	56	59	61	63	65								
2.0	19750	19750	19750	19700	19700	19700	19650	19650							2.0
	17700	17700	17650	17650	17650	17600	17600	17600	17600						
	33	45	49	53	55	58	60	62	64						
2.5	15500	15500	15500	15450	15450	15450	15450	15400	15400	15400					2.5
	14800	14800	14800	14800	14800	14800	14750	14750	14750	14750					
	13800	13850	13850	13800	13800	13800	13800	13750	13750	13750					
3.0	12900	12650	12650	12650	12600	12600	12600	12600	12600	12550	12550				3.0
	12300	12100	12100	12100	12050	12050	12050	12050	12050	12000	12000				
	11450	11250	11250	11250	11250	11250	11250	11200	11200	11200	11200				
3.5	(2.9)	30	36	41	46	49	52	54	57	61	64				3.5
		10600	10600	10600	10600	10600	10600	10600	10550	10550	10550	10550			
		10100	10100	10150	10100	10100	10100	10100	10100	10100	10050	10050			
4.0		9400	9400	9400	9400	9400	9400	9400	9400	9400	9350	9350	8950		4.0
		19	28	35	40	44	48	50	53	57	61	63			
		9400	9050	9050	9050	9050	9050	9050	9050	9050	9050	9050	9000	9000	
5.0		8950	8650	8650	8650	8650	8650	8650	8650	8650	8600	8600	8600		5.0
		8300	8000	8050	8050	8050	8050	8050	8050	8000	8000	8000	7900	7450	
		(3.9)	18	27	34	39	43	46	49	54	58	61	63		
6.0			8100	7100	6900	6950	6950	6950	6950	6900	6900	6900	6900	6900	6.0
			7750	6800	6600	6600	6600	6600	6600	6600	6600	6600	6550	6550	
			7150	6250	6100	6100	6100	6100	6100	6100	6100	6100	6100	6050	
7.0			(4.4)	(4.9)	17	26	32	37	40	47	51	55	57		7.0
					6300	5600	5500	5500	5500	5500	5500	5500	5500	5500	
					6000	5350	5200	5200	5200	5250	5250	5200	5200	5200	
8.0					5550	4900	4800	4800	4800	4800	4800	4800	4800	4800	8.0
					(5.4)	(5.9)	16	24	30	38	44	49	52		
							5050	4550	4450	4500	4500	4500	4500	4500	
9.0							4800	4350	4250	4250	4250	4250	4250	4250	9.0
							4400	3950	3900	3900	3900	3900	3900	3900	
							(6.4)	(6.9)	15	29	37	43	46		
10.0									4150	3700	3700	3700	3700	3700	10.0
									3900	3500	3500	3500	3500	3500	
									3600	3200	3200	3200	3200	3200	
11.0									(7.4)	14	27	35	40		11.0
										3450	3100	3150	3150	3150	
										3250	2950	2950	2950	2950	
11.1										2950	2650	2650	2650	2650	11.1
										(8.4)	14	26	32		
											2900	2650	2650	2650	
11.1											2750	2450	2500	2500	11.1
											2450	2250	2250	2250	
											(9.4)	13	23		
11.1												2450	2250	2250	11.1
												2300	2100	2100	
												2050	1850	1850	
11.1												(10.4)	8		11.1
													2200	2200	
													2050	1800	
11.1													(11.1)	1800	11.1
														1800	
														1800	
	8.50	9.00	9.50	10.00	11.00	12.00	13.00	13.77							

- UNITS:
- ANGLES IN DEGREES
  - LENGTHS IN METRES
  - LOAD IN KILOGRAMS

KEY:

6900	RC @ ARTIC: 0°	PITCH: -2.3	ROLL: -1.0
6600	RC @ ARTIC: 25°	PITCH: -2.3	ROLL: -3.0
6100	RC @ ARTIC: 40°	PITCH: -2.3	ROLL: -3.5
51	BOOM ANGLE		
(5.4)	RADIUS AT ZERO BOOM ANGLE		

Note: Pitch & Roll angles indicated are representative of lifts based on firm level ground with tyres at specified pressures.







# RATED CAPACITY CHART - RUNNER 3 (20° OFFSET)

Hook

Duty: **129**

COUNTERWEIGHT: STANDARD  
 POSITION: FRONT OF CRANE

Sheave

Duty: **132**

Rad	BOOM LENGTH - 3rd BOOM RETRACTED													3rd BOOM EXTENDING				Rad
	7.02	7.50	8.00	8.50	9.00	9.50	10.00	10.50	11.00	12.00	13.00	14.00	15.00	16.00	17.00	18.00	19.32	
2.0	15950	16500	17050															2.0
	14900	15400	15900															
	49	52	55															
2.5	15150	15650	16100	16050														2.5
	14250	14500	14450	14400														
	43	47	50	53														
3.0	13300	13250	13250	13200	13150	13100												3.0
	12750	12700	12650	12650	12600	12550												
	11950	11900	11850	11800	11750	11750												
3.5	36	41	45	49	52	54												
	11250	11200	11150	11100	11100	11050	11000	11000										3.5
	10750	10700	10700	10650	10600	10600	10550	10500										
4.0	10050	10000	9950	9950	9900	9850	9850	9800										
	29	35	40	44	47	50	53	55										
	9650	9650	9600	9550	9550	9500	9500	9450	9450									4.0
5.0	9250	9200	9200	9150	9100	9100	9050	9050	9000									
	8600	8600	8550	8550	8500	8450	8450	8400	8400									
	18	27	34	39	43	46	49	51	54									
6.0	8650	8400	7400	7400	7350	7350	7300	7300	7250	7200								5.0
	8250	8050	7050	7050	7050	7000	7000	6950	6950	6900	6900							
	7700	7500	6550	6550	6550	6500	6500	6450	6450	6400	6400							
7.0	(4.4)	(4.9)	17	26	32	36	40	44	46	51	55							
			6750	6050	5900	5900	5850	5850	5850	5800	5800	5750	5750					6.0
			6450	5750	5600	5600	5600	5600	5550	5550	5500	5500	5450	5450				
8.0			6000	5350	5200	5200	5200	5150	5150	5100	5100	5050	5000					
			(5.4)	(5.9)	16	24	30	35	38	44	49	53	56					
					5450	4950	4800	4800	4800	4800	4750	4750	4700	4750				7.0
9.0					5200	4700	4600	4600	4550	4550	4500	4500	4450	4550				
					4800	4350	4250	4200	4200	4200	4150	4150	4100	4150				
					(6.4)	(6.9)	15	23	29	37	42	47	51	54				
10.0							4500	4100	4000	4000	4000	3950	3950	4000	4050	4150		8.0
							4250	3900	3800	3800	3750	3750	3750	3800	3850	3900		
							3900	3550	3500	3500	3450	3450	3450	3500	3500	3450		
11.0							(7.4)	(7.9)	14	27	35	41	45	49	52	55		
									3750	3400	3400	3350	3350	3400	3450	3550	3600	9.0
									3550	3200	3200	3200	3150	3200	3300	3350	3400	
12.0									3250	2950	2900	2900	2900	2950	3000	3050	2950	
									(8.4)	14	26	34	39	44	47	50	54	
										3200	2900	2900	2850	2900	3000	3050	3100	10.0
13.0										3000	2700	2700	2700	2750	2800	2900	2950	
										2750	2450	2450	2450	2500	2550	2650	2650	
										(9.4)	13	25	33	38	42	46	50	
14.0											2700	2450	2450	2550	2600	2650	2700	11.0
											2550	2300	2300	2400	2450	2500	2550	
											2300	2100	2100	2150	2200	2250	2350	
15.0											(10.4)	13	24	31	37	41	46	
												2350	2150	2200	2250	2300	2400	12.0
												2200	2000	2050	2100	2200	2250	
16.0												1950	1800	1850	1900	2000	2050	
												(11.4)	12	24	30	36	41	
													2000	1900	2000	2050	2100	13.0
17.0													1900	1800	1850	1900	2000	
													1700	1600	1650	1700	1800	
													(12.4)	12	23	30	36	
18.0														1800	1750	1800	1850	14.0
														1700	1600	1700	1750	
														1500	1450	1500	1550	
19.0															1650	1600	1650	15.0
															1350	1300	1400	
															(14.4)	11	24	
20.0																1500	1450	16.0
																1250	1200	
																(15.4)	15	
21.0																	1350	16.68
																	1100	
																	(16.7)	
13.00	14.00	15.00	16.00	17.00	18.00	19.32												

<b>MAXIMUM RATED CAPACITY</b>		Duty
SINGLE PART	4200	132
TWO PARTS	8400	132
HOOK	18000	129

- UNITS:**
- ANGLES IN DEGREES
  - LENGTHS IN METRES
  - LOAD IN KILOGRAMS

**KEY:**

5900	RC @ ARTIC: 0°	PITCH: -2.3	ROLL: -1.0
5600	RC @ ARTIC: 25°	PITCH: -2.3	ROLL: -3.0
5200	RC @ ARTIC: 40°	PITCH: -2.3	ROLL: -3.5
16	BOOM ANGLE		
(6.4)	RADIUS AT ZERO BOOM ANGLE		

Note: Pitch & Roll angles indicated are representative of lifts based on firm level ground with tyres at specified pressures.

# RATED CAPACITY - FLYJIB 1.5m (0° OFFSET)

Duty: **133**

COUNTERWEIGHT: STANDARD  
 POSITION: FRONT OF CRANE

Rad	BOOM LENGTH - 3rd BOOM RETRACTED												3rd BOOM EXTENDING				Rad		
	7.85	8.50	9.00	9.50	10.00	10.50	11.00	11.50	12.00	13.00	14.00	15.00	16.00	17.00	18.00	19.00		20.15	
2.5	1700	1800	1950	1950	1950	2150												2.5	
	1700	1800	1950	1950	1950	2150													
3.0	49	53	55	57	59	61												3.0	
	1600	1700	1800	1800	1950	1950	1950	2150											
	1600	1700	1800	1800	1950	1950	1950	2150											
3.5	44	48	51	54	56	58	60	61										3.5	
	1550	1600	1700	1700	1800	1800	1950	1950	1950										
	1550	1600	1700	1700	1800	1800	1950	1950	1950										
	1550	1600	1700	1700	1800	1800	1950	1950	1950										
4.0	38	43	47	50	52	54	56	58	60									4.0	
	1500	1550	1600	1700	1700	1800	1800	1800	1950	1950									
	1500	1550	1600	1700	1700	1800	1800	1800	1950	1950									
	1500	1550	1600	1700	1700	1800	1800	1800	1950	1950									
5.0	32	38	42	45	48	51	53	55	57	60								5.0	
	1450	1450	1500	1550	1550	1600	1700	1700	1800	1800	1950	2150							
	1450	1450	1500	1550	1550	1600	1700	1700	1800	1800	1950	2150							
	1450	1450	1500	1550	1550	1600	1700	1700	1800	1800	1950	2150							
6.0	15	26	31	36	40	43	46	48	51	54	57	60						6.0	
	1450	1450	1450	1450	1450	1500	1550	1600	1600	1700	1800	1950	1950	2150	2150				
	1450	1450	1450	1450	1450	1500	1550	1600	1600	1700	1800	1950	1950	2150	2150				
	1450	1450	1450	1450	1450	1500	1550	1600	1600	1700	1800	1950	1950	2150	2150				
7.0	(5.3)	(6.0)	17	24	30	34	38	41	44	48	52	55	58	60	62			7.0	
			1450	1450	1450	1450	1450	1500	1550	1600	1700	1800	1800	1950	1950	2150	2150		
			1450	1450	1450	1450	1450	1500	1550	1600	1700	1800	1800	1950	1950	2150	2150		
			1450	1450	1450	1450	1450	1500	1550	1600	1700	1800	1800	1950	1950	2150	2150		
8.0			(6.5)	(7.0)	16	23	28	33	36	42	47	50	53	56	58	60	63	8.0	
					1450	1450	1450	1450	1450	1500	1600	1600	1700	1800	1800	1950	1950		
					1450	1450	1450	1450	1450	1500	1600	1600	1700	1800	1800	1950	1950		
					1450	1450	1450	1450	1450	1500	1600	1600	1700	1800	1800	1950	1950		
9.0					(7.5)	(8.0)	15	22	27	35	40	45	48	52	54	57	59	9.0	
							1450	1450	1450	1450	1500	1550	1600	1700	1800	1800	1950		
							1450	1450	1450	1450	1500	1550	1600	1700	1700	1800	1950		
							1450	1450	1450	1450	1500	1550	1600	1700	1700	1800	1950		
10.0							(8.5)	(9.0)	15	26	34	39	43	47	50	53	55	10.0	
									1450	1450	1450	1500	1550	1600	1700	1700	1800		
									1450	1450	1450	1500	1550	1600	1700	1700	1800		
									1450	1450	1450	1500	1550	1600	1700	1700	1800		
11.0									(9.5)	14	25	32	38	42	46	49	52	11.0	
										1450	1450	1450	1500	1550	1600	1600	1700		
										1450	1450	1450	1500	1550	1600	1600	1700		
										1450	1450	1450	1500	1550	1600	1600	1700		
12.0										(10.5)	14	24	31	37	41	44	48	12.0	
											1450	1450	1450	1500	1550	1550	1600		
											1450	1450	1450	1500	1550	1550	1600		
											1450	1450	1450	1500	1550	1550	1600		
13.0											(11.5)	13	24	30	35	40	44	13.0	
												1450	1450	1450	1450	1500	1550		
												1450	1450	1450	1450	1500	1550		
												1450	1450	1450	1450	1500	1550		
14.0												(12.5)	13	23	29	34	39	14.0	
													1450	1450	1450	1450	1500		
													1450	1450	1450	1450	1500		
													1450	1400	1450	1450	1500		
15.0													(13.5)	13	22	29	34	15.0	
														1450	1450	1450	1450		
														1450	1450	1450	1450		
														1300	1250	1300	1350		
16.0														(14.5)	12	22	29	16.0	
															1450	1400	1450		
															1200	1150	1200		
															(15.5)	12	22		
17.0																		17.0	
																		1300	1300
																		1050	1050
																		(16.5)	14
17.64																			17.64
																			1200
																			950
																			(17.6)
	14.00	15.00	16.00	17.00	18.00	19.00	20.15												

UNITS:  
 - ANGLES IN DEGREES  
 - LENGTHS IN METRES  
 - LOAD IN KILOGRAMS

KEY:

1550	RC @ ARTIC: 0°	PITCH: -2.3	ROLL: -1.0
1550	RC @ ARTIC: 25°	PITCH: -2.3	ROLL: -3.0
1550	RC @ ARTIC: 40°	PITCH: -2.3	ROLL: -3.5
40	BOOM ANGLE		
(7.5)	RADIUS AT ZERO BOOM ANGLE		

Note: Pitch & Roll angles indicated are representative of lifts based on firm level ground with tyres at specified pressures.

# RATED CAPACITY - FLYJIB 1.5m (12.5° OFFSET)

Duty: **134**

COUNTERWEIGHT: STANDARD  
 POSITION: FRONT OF CRANE

Rad	BOOM LENGTH - 3rd BOOM RETRACTED														3rd BOOM EXTENDING				Rad
	7.84	8.50	9.00	9.50	10.00	10.50	11.00	11.50	12.00	13.00	14.00	15.00	16.00	17.00	18.00	19.00	20.14		
2.5	1800	1800	1950	1950	2150	2150												2.5	
	1800	1800	1950	1950	2150	2150													
	51	55	57	60	61	63													
3.0	1700	1800	1800	1950	1950	1950	2150	2150										3.0	
	1700	1800	1800	1950	1950	1950	2150	2150											
	46	50	53	56	58	60	61	63											
3.5	1600	1700	1700	1800	1800	1950	1950	1950	2150									3.5	
	1600	1700	1700	1800	1800	1950	1950	1950	2150										
	1600	1700	1700	1800	1800	1950	1950	1950	2150										
4.0	40	46	49	52	54	56	58	60	61										
	1500	1600	1600	1700	1800	1800	1800	1950	1950	2150								4.0	
	1500	1600	1600	1700	1800	1800	1800	1950	1950	2150									
5.0	34	40	44	47	50	53	55	57	58	61									
	1450	1450	1500	1550	1600	1600	1700	1700	1800	1950	1950	2150						5.0	
	1450	1450	1500	1550	1600	1600	1700	1700	1800	1950	1950	2150							
6.0	16	28	34	38	42	45	48	50	52	56	59	62							
	1450	1450	1450	1450	1500	1550	1550	1600	1700	1700	1800	1950	1950	2150	2150			6.0	
	1450	1450	1450	1450	1500	1550	1550	1600	1700	1700	1800	1950	1950	2150	2150				
7.0	(5.3)	(6.0)	19	26	32	36	40	43	45	50	54	57	59	62	64				
			1450	1450	1450	1450	1500	1500	1550	1600	1700	1800	1800	1950	1950	2150	2150	7.0	
			1450	1450	1450	1450	1500	1500	1550	1600	1700	1800	1800	1950	1950	2150	2150		
8.0			(6.5)	(7.0)	18	25	30	34	38	43	48	52	55	57	60	62	64		
					1450	1450	1450	1450	1450	1550	1600	1700	1700	1800	1950	1950	1950	8.0	
					1450	1450	1450	1450	1450	1550	1600	1700	1700	1800	1950	1950	1950		
9.0					(7.5)	(8.0)	17	24	29	36	42	46	50	53	55	58	60		
							1450	1450	1450	1450	1500	1600	1600	1700	1800	1800	1950	9.0	
							1450	1450	1450	1450	1500	1600	1600	1700	1800	1800	1950		
10.0							(8.5)	(9.0)	16	28	35	40	45	48	51	54	56		
									1450	1450	1450	1500	1550	1600	1700	1700	1800	10.0	
									1450	1450	1450	1500	1550	1600	1700	1700	1800		
11.0									(9.5)	16	27	34	39	43	47	50	53		
										1450	1450	1450	1500	1550	1600	1700	1700	11.0	
										1450	1450	1450	1500	1550	1600	1700	1700		
12.0										(10.5)	15	26	32	38	42	45	49		
											1450	1450	1450	1500	1550	1600	1600	12.0	
											1450	1450	1450	1500	1550	1600	1600		
13.0										(11.5)	15	25	31	37	41	44			
											1450	1450	1450	1500	1550	1550		13.0	
											1450	1450	1450	1500	1550	1550			
14.0											(12.5)	14	24	31	35	40			
												1450	1450	1450	1450	1550		14.0	
												1450	1450	1450	1450	1550			
15.0												(13.5)	14	23	30	35			
													1450	1450	1450	1450		15.0	
													1300	1250	1350	1400			
16.0													(14.5)	13	23	30			
														1450	1400	1450		16.0	
															1200	1150	1200		
17.0															(15.5)	13	23		
																1300	1300	17.0	
																1050	1050		
17.63																(16.5)	14		
																	1200	17.63	
																	950		
																(17.6)			
	14.00	15.00	16.00	17.00	18.00	19.00	20.14												

UNITS:  
 - ANGLES IN DEGREES  
 - LENGTHS IN METRES  
 - LOAD IN KILOGRAMS

KEY:

1600	RC @ ARTIC: 0°	PITCH: -2.3	ROLL: -1.0
1600	RC @ ARTIC: 25°	PITCH: -2.3	ROLL: -3.0
1600	RC @ ARTIC: 40°	PITCH: -2.3	ROLL: -3.5
42	BOOM ANGLE		
(7.5)	RADIUS AT ZERO BOOM ANGLE		

Note: Pitch & Roll angles indicated are representative of lifts based on firm level ground with tyres at specified pressures.

# RATED CAPACITY CHART - FALL BLOCK

Duty: **201**

COUNTERWEIGHT STANDARD  
POSITION: REAR OF CRANE

Rad	BOOM LENGTH - 3rd BOOM RETRACTED													3rd BOOM EXTENDING				Rad
	6.12	6.50	7.00	7.50	8.00	8.50	9.00	9.50	10.00	11.00	12.00	13.00	14.00	15.00	16.00	17.00	18.42	
1.4	25000	25000	25000	25000	24500	23950	23550											1.4
	24800	24800	24800	24750	24550	24000	23600											
	49	52	56	58	61	63	65											
2.0	22950	22950	22900	22900	22850	22800	22800	22750	22750									2.0
	20550	20550	20500	20450	20450	20400	20350	20350	20300									
	41	45	49	52	55	58	60	62	64									
2.5	18100	18100	18050	18000	18000	17950	17950	17900	17900	17850								2.5
	17300	17300	17250	17250	17200	17200	17150	17150	17150	17100								
	16150	16150	16100	16100	16050	16050	16000	16000	15950	15100								
3.0	33	38	43	47	51	54	56	58	60	64								3.0
	14800	14800	14800	14800	14750	14750	14700	14700	14700	14650	14550							
	14200	14150	14150	14150	14100	14100	14050	14050	14050	14000	13450							
3.5	13200	13200	13200	13150	13150	13100	13100	13100	13050	12650	11450							3.5
	22	30	36	41	46	49	52	54	57	60	64							
	12500	12450	12450	12450	12450	12400	12400	12400	12350	12350	12300	12300						
4.0	11950	11900	11900	11900	11900	11850	11850	11850	11800	11800	11750	11600						4.0
	11100	11100	11100	11050	11050	11050	11000	11000	11000	10850	9900	9100						
	(3.5)	19	28	35	40	44	47	50	53	57	61	63						
5.0	11100	10700	10700	10700	10700	10650	10650	10650	10600	10600	10600	10550						5.0
	10600	10200	10200	10200	10200	10200	10150	10150	10150	10100	10100	10100						
	9850	9500	9500	9500	9500	9500	9450	9450	9450	9400	8750	8050	7500					
6.0	(3.9)	18	27	34	39	43	46	49	54	58	61	63						6.0
	9650	8500	8250	8250	8250	8250	8200	8200	8200	8150	8150	8200	8300	8400				
	9200	8100	7850	7850	7850	7850	7850	7800	7800	7750	7850	7900	7950					
7.0	8550	7500	7250	7250	7250	7250	7250	7250	7250	7050	6500	6100	5800	5600	5400			7.0
	(4.4)	(4.9)	17	26	32	37	40	46	51	55	58	61	63	65				
	7550	6750	6600	6600	6600	6600	6600	6550	6550	6550	6600	6700	6750	6850				
8.0	7200	6450	6250	6250	6250	6250	6250	6250	6250	6200	6300	6350	6450	6400				8.0
	6650	5950	5800	5800	5800	5800	5800	5800	5750	5450	5100	4850	4700	4550	4400			
	(5.4)	(5.9)	16	24	30	38	44	49	53	56	59	61	64					
9.0	6100	5550	5400	5400	5400	5400	5400	5400	5400	5400	5450	5550	5600	5700				9.0
	5800	5250	5150	5150	5150	5150	5100	5100	5150	5250	5350	5400						
	5350	4850	4750	4750	4700	4700	4350	4200	4050	3950	3800							
10.0	(6.4)	(6.9)	15	29	37	42	47	51	54	57	60							10.0
	5050	4550	4550	4550	4550	4550	4600	4650	4750	4800								
	4800	4300	4300	4300	4300	4300	4350	4400	4500	4600								
11.0	4400	3950	3950	3950	3850	3650	3550	3450	3350									11.0
	(7.4)	14	27	35	41	45	49	52	56									
	4250	3850	3850	3850	3900	4000	4050	4150										
12.0	4000	3650	3650	3650	3700	3750	3850	3950										12.0
	3650	3300	3300	3300	3250	3150	3050	2950										
	(8.4)	14	26	34	39	44	47	52										
13.0	3600	3300	3300	3350	3450	3500	3600											13.0
	3400	3100	3100	3150	3250	3300	3400											
	3100	2800	2800	2900	2850	2750	2650											
14.0	(9.4)	13	25	33	38	42	47											14.0
	3100	2850	2900	3000	3050	3150												
	2950	2700	2750	2850	2900	3000												
15.0	2650	2400	2500	2550	2500	2400												15.0
	(10.4)	13	24	32	37	43												
	2700	2550	2650	2700	2800													
16.0	2550	2400	2450	2550	2600													16.0
	2250	2150	2200	2300	2200													
	(11.4)	12	24	31	38													
17.0	2400	2300	2400	2450														17.0
	2250	2150	2250	2300														
	2000	1950	2000	2050														
18.0	(12.4)	12	23	32														18.0
	2200	2100	2200															
	1850	1750	1850															
19.0	(13.4)	12	25															19.0
	2000	1950	2000	2050														
	(14.4)	17																
20.0	1800																	20.0
	1450																	
	(15.8)																	
12.00	13.00	14.00	15.00	16.00	17.00	18.42												

**WINCH RATED CAPACITY**  
 SINGLE PART 4200  
 TWO PARTS 8400  
 FOUR PARTS 16800  
 SIX PARTS 25000

**UNITS:**  
 - ANGLES IN DEGREES  
 - LENGTHS IN METRES  
 - LOAD IN KILOGRAMS

**KEY:**  
8250 RC @ ARTIC: 0° PITCH: -2.3 ROLL: -1.0  
7850 RC @ ARTIC: 25° PITCH: -2.3 ROLL: -3.0  
7250 RC @ ARTIC: 40° PITCH: -2.3 ROLL: -3.5  
17 BOOM ANGLE  
(5.9) RADIUS AT ZERO BOOM ANGLE

Note: Pitch & Roll angles indicated are representative of lifts based on firm level ground with tyres at specified pressures.

# RATED CAPACITY CHART - RHINO HOOK

Duty: **202**

COUNTERWEIGHT POSITION: STANDARD REAR OF CRANE

Rad	BOOM LENGTH - 3rd BOOM RETRACTED													3rd BOOM EXTENDING				Rad		
	6.45	7.00	7.50	8.00	8.50	9.00	9.50	10.00	10.50	11.00	12.00	13.00	14.00	15.00	17.00	18.00	18.75			
1.4	15000	15000	15000	15000	15000	15000													1.4	
	15000	15000	15000	15000	15000	15000														
	52	56	59	61	64	65														
2.0	15000	15000	15000	15000	15000	15000	15000	15000											2.0	
	15000	15000	15000	15000	15000	15000	15000	15000												
	45	50	53	56	58	61	63	64												
2.5	15000	15000	15000	15000	15000	15000	15000	15000	15000	15000									2.5	
	15000	15000	15000	15000	15000	15000	15000	15000	15000	15000	15000									
	15000	15000	15000	15000	15000	15000	15000	15000	15000	15000	15000									
	38	44	48	51	54	57	59	61	63	64										
3.0	15000	14950	14950	14900	14900	14850	14850	14800	14800	14750	14300								3.0	
	14350	14300	14300	14250	14250	14200	14200	14150	14150	14100	13300									
	13350	13350	13300	13300	13250	13250	13200	13200	13150	12750	11550									
	29	37	42	46	49	52	55	57	59	61	64									
3.5	12600	12600	12600	12550	12550	12550	12500	12500	12450	12450	12400	12350							3.5	
	12050	12050	12050	12000	12000	11950	11950	11950	11900	11900	11850	11550								
	11250	11250	11200	11200	11150	11150	11100	11100	11100	11000	10000	9200								
	(3.8)	29	36	41	45	48	51	53	56	58	61	64								
4.0	10850	10850	10800	10800	10800	10750	10750	10750	10700	10700	10650	10650							4.0	
	10350	10350	10350	10300	10300	10300	10250	10250	10250	10200	10200	10100								
	9650	9650	9600	9600	9550	9550	9550	9500	9500	8800	8150	7600								
	(4.4)	28	34	39	43	47	49	52	54	58	61	64								
5.0			8600	8350	8350	8350	8300	8300	8300	8250	8250	8200	8250	8400					5.0	
			8200	7950	7950	7950	7950	7900	7900	7900	7850	7850	7850	7900						
			7600	7400	7400	7350	7350	7350	7350	7300	7100	6600	6150	5800	5400					
			(4.9)	(5.4)	26	32	37	41	44	47	52	55	58	61	65					
6.0					6850	6700	6700	6700	6650	6650	6650	6600	6600	6650	6800	6850	6850		6.0	
					6500	6350	6350	6350	6350	6350	6300	6300	6300	6450	6550	6300				
					6050	5900	5900	5850	5850	5850	5850	5550	5150	4900	4600	4450	4350			
					(5.9)	(6.4)	25	31	35	39	45	49	53	56	61	63	65			
7.0						5600	5500	5500	5500	5500	5450	5450	5500	5650	5700	5750			7.0	
						5350	5200	5200	5200	5200	5200	5200	5200	5350	5400	5450				
						4900	4800	4800	4800	4800	4750	4450	4200	3950	3850	3800				
						(6.9)	(7.4)	23	29	37	43	47	51	57	59	61				
8.0																			8.0	
9.0																			9.0	
10.0																			10.0	
11.0																			11.0	
12.0																			12.0	
13.0																			13.0	
14.0																			14.0	
15.0																			15.0	
16.1																			16.1	

UNITS:  
 - ANGLES IN DEGREES  
 - LENGTHS IN METRES  
 - LOAD IN KILOGRAMS

KEY:  

8400	RC @ ARTIC: 0°	PITCH: -2.3	ROLL: -1.0
7900	RC @ ARTIC: 25°	PITCH: -2.3	ROLL: -3.0
5400	RC @ ARTIC: 40°	PITCH: -2.3	ROLL: -3.5
65	BOOM ANGLE		
(5.9)	RADIUS AT ZERO BOOM ANGLE		

Note: Pitch & Roll angles indicated are representative of lifts based on firm level ground with tyres at specified pressures.

# RATED CAPACITY CHART - FLYJIB 3m

COUNTERWEIGHT STANDARD  
 POSITION: REAR OF CRANE

Duty: **205**

Duty: **206**

## FLYJIB at 0° OFFSET

Duty: **205**

Rad	RC
6.1	1500
	1440
7.8	1500
	1370
9.3	1340
	1220
10.8	1200
	1080
12.2	1080
	1010
13.5	970
	900
14.7	900
	840
15.7	850
	800
16.6	800
	750
17.3	770
	730
17.9	760
	730
18.3	750
	720
18.6	750
	720
18.7	750
	720
	0

## FLYJIB at 12.5° OFFSET

Duty: **206**

Rad	RC
6.6	1500
	1440
8.2	1500
	1370
9.8	1340
	1220
11.2	1200
	1080
12.6	1080
	1010
13.8	970
	900
14.9	900
	840
15.9	850
	800
16.8	800
	750
17.5	770
	730
18.0	760
	730
18.4	750
	720
18.6	750
	720
18.7	750
	720
	0

**NOTE:**

- RATED CAPACITY IS BASED ON THE STRENGTH OF THE FLYJIB ALONE - RC IS THE SAME FOR ALL BOOM LENGTHS.

**UNITS:**

- ANGLES IN DEGREES
- LENGTHS IN METRES
- LOAD IN KILOGRAMS

**KEY:**

970	RC @ ARTIC: 0°	PITCH: -2.3	ROLL: -1.0
900	RC @ ARTIC: 40°	PITCH: -2.3	ROLL: -3.5
40	Boom Angle		

Note: Pitch & Roll angles indicated are representative of lifts based on firm level ground with tyres at specified pressures.

# RATED CAPACITY CHART

COUNTERWEIGHT STANDARD  
 POSITION: REAR OF CRANE

Duty: **209**

Duty: **210**

## MANBASKET

Duty: **209**

Rad	RC
6.0	275
	275
7.5	65
	275
	275
9.0	60
	275
	275
10.3	55
	275
	275
10.3	50
	275
	275
11.6	45
	275
	275
12.8	40
	275
	275
13.8	35
	275
	275
14.7	30
	275
	275
15.5	25
	275
	275
16.1	20
	275
	275
16.6	15
	275
	275
17.0	10
	275
	275
17.2	5
	275
	275
17.3	0
	275
	275

## FIXED LUG (BUTT)

Duty: **210**

Rad	RC
1.4	25000
	24400
1.5	33
	24600
1.6	23950
	31
1.6	24150
	23500
1.7	29
	23750
1.7	23050
	26
1.8	23300
	22050
1.8	23.0
	22900
1.9	20800
	19.7
2.0	22050
	19600
2.0	16
	20100
2.2	17850
	0

**NOTE:**

MANBASKET RATED CAPACITY INCLUDES ALL PERSONELL AND ALL EQUIPMENT.

**UNITS:**

- ANGLES IN DEGREES
- LENGTHS IN METRES
- LOAD IN KILOGRAMS

**KEY:**

275	RC @ ARTIC: 0°	PITCH: -2.3	ROLL: -1.0
275	RC @ ARTIC: 40°	PITCH: -2.3	ROLL: -3.5
0	Boom Angle		

Note: Pitch & Roll angles indicated are representative of lifts based on firm level ground with tyres at specified pressures.

# RATED CAPACITY CHART - LUG 1

Duty: **211**

COUNTERWEIGHT POSITION: STANDARD REAR OF CRANE

Rad	BOOM LENGTH									Rad
	5.36	6.00	6.50	7.00	7.50	8.00	8.50	9.00	9.46	
1.4	25000	25000	24950	24850	24750	24650	24600	23300		1.4
	24600	24450	24300	24200	24100	24000	23250	21350		
	42	49	53	56	59	61	63	65		
2.0	22550	22150	21900	21650	21450	21300	21150	20800	19450	2.0
	20100	19750	19450	19250	19050	18900	18700	18600	17900	
	30	40	45	49	53	56	58	61	62	
2.5	17650	17350	17150	16950	16750	16600	16500	16350	16250	2.5
	16850	16550	16350	16150	16000	15850	15700	15600	15500	
	15700	15400	15200	15000	14850	14700	14550	14450	14300	
3.0	16000	14150	13950	13800	13650	13500	13350	13250	13150	3.0
	15300	13500	13300	13150	13000	12850	12750	12600	12550	
	14250	12500	12350	12150	12000	11900	11750	11650	11550	
3.5		12350	11650	11500	11400	11250	11150	11050	10950	3.5
		11750	11100	10950	10850	10700	10600	10500	10400	
		10900	10250	10150	10000	9900	9750	9650	9600	
4.0		(3.4)	19	29	35	40	44	48	50	4.0
			10300	9800	9700	9600	9500	9400	9300	
			9800	9300	9200	9100	9000	8900	8800	
5.0			9050	8600	8500	8350	8250	8150	8100	5.0
			(3.9)	19	28	34	39	43	46	
			8750	7550	7200	7150	7050	7000		
6.0						8300	7150	6800	6750	6.0
						7650	6550	6250	6150	
						(4.4)	(4.9)	17	26	
6.8							6550	5700	5450	6.8
							6150	5350	5150	
							5600	4850	4650	
6.8							(5.4)	(5.9)	16	6.8
									4250	
									3750	
	5.36	6.00	6.50	7.00	7.50	8.00	8.50	9.00	9.50	

- UNITS:**
- ANGLES IN DEGREES
  - LENGTHS IN METRES
  - LOAD IN KILOGRAMS

**KEY:**

9600	RC @ ARTIC: 0°	PITCH: -2.3	ROLL: -1.0
9100	RC @ ARTIC: 25°	PITCH: -2.3	ROLL: -3.0
8350	RC @ ARTIC: 40°	PITCH: -2.3	ROLL: -3.5
34	BOOM ANGLE		
(3.9)	RADIUS AT ZERO BOOM ANGLE		

Note: Pitch & Roll angles indicated are representative of lifts based on firm level ground with tyres at specified pressures.



# RATED CAPACITY CHART - LUG 2

Duty: **212**

COUNTERWEIGHT STANDARD  
POSITION: REAR OF CRANE

Rad	BOOM LENGTH													Rad			
	5.57	6.50	7.00	7.50	8.00	8.50	9.00	9.50	10.00	11.00	12.00	13.00	13.77				
1.4	25000	25000	25000	25000	25000	25000	25000								1.4		
	24650	24650	24650	24650	24650	24600	24600										
	44	52	56	59	61	63	65										
2.0	22650	22650	22650	22600	22600	22600	22550	22550							2.0		
	20250	20200	20200	20200	20150	20150	20150	20150	20100								
	33	45	49	53	55	58	60	62	64								
2.5	17800	17800	17800	17800	17750	17750	17750	17750	17750	16850					2.5		
	17000	17000	17000	17000	17000	17000	16950	16950	16950	15700							
	15850	15850	15850	15850	15850	15800	15800	15800	15800	14850							
3.0	14850	14550	14550	14550	14550	14550	14550	14500	14500	14500	14150				3.0		
	14200	13900	13900	13900	13900	13900	13900	13900	13850	13850	13200						
	13200	12950	12950	12950	12950	12950	12900	12900	12900	12400	11250						
3.5	(2.9)	30	36	41	46	49	52	54	57	61	64				3.5		
		11700	11700	11700	11700	11700	11700	11650	11650	11650	11650	11400					
		10850	10850	10850	10850	10850	10850	10850	10850	10850	10650	9750	8950				
4.0		19	28	35	40	44	48	50	53	57	61	63			4.0		
		10900	10500	10500	10500	10500	10500	10500	10500	10500	10500	10450	10450				
		10400	10000	10050	10050	10050	10050	10000	10000	10000	10000	10000	10000	10000			
5.0			9450	8300	8050	8100	8100	8100	8100	8100	8050	8050	8050			5.0	
			9000	7900	7700	7700	7700	7700	7700	7700	7700	7650	7650				
			8350	7300	7100	7100	7100	7100	7100	7100	7100	6900	6400	6050			
6.0			(4.4)	(4.9)	17	26	32	37	40	47	51	55	57			6.0	
					7400	6600	6450	6450	6450	6450	6450	6450	6450	6450			
					7000	6300	6150	6150	6150	6150	6150	6150	6150	6150			
7.0					6500	5800	5650	5650	5650	5650	5650	5350	5050			7.0	
					(5.4)	(5.9)	16	24	30	38	44	49	52				
							5950	5400	5300	5300	5300	5300	5300	5300			
8.0							5650	5150	5000	5050	5050	5050	5050			8.0	
							5200	4700	4600	4600	4600	4600	4350				
							(6.4)	(6.9)	15	29	37	43	46				
9.0									4950	4450	4450	4450	4450			9.0	
									4650	4200	4200	4200	4200				
									4250	3850	3850	3850	3800				
10.0									(7.4)	14	27	35	40			10.0	
										4150	3750	3750	3750				
										3900	3550	3550	3550				
11.0										3550	3200	3250	3250			11.0	
										(8.4)	14	26	32				
											3550	3200	3250				
11.1											3300	3000	3050			11.1	
											3000	2750	2750				
											(9.4)	13	23				
13.77												3050	2750			13.77	
												2850	2600				
												2550	2350				
												(10.4)	8				
													2700				
													2550				
													2250				
													(11.1)				

- UNITS:
- ANGLES IN DEGREES
  - LENGTHS IN METRES
  - LOAD IN KILOGRAMS

KEY:

8050	RC @ ARTIC: 0°	PITCH: -2.3	ROLL: -1.0
7700	RC @ ARTIC: 25°	PITCH: -2.3	ROLL: -3.0
6900	RC @ ARTIC: 40°	PITCH: -2.3	ROLL: -3.5
51	BOOM ANGLE		
(5.4)	RADIUS AT ZERO BOOM ANGLE		

Note: Pitch & Roll angles indicated are representative of lifts based on firm level ground with tyres at specified pressures.







# RATED CAPACITY - FLYJIB 1.5m (0° OFFSET)

Duty: **233**

COUNTERWEIGHT: STANDARD  
 POSITION: REAR OF CRANE

Rad	BOOM LENGTH - 3rd BOOM RETRACTED													3rd BOOM EXTENDING				Rad	
	7.85	8.50	9.00	9.50	10.00	10.50	11.00	11.50	12.00	13.00	14.00	15.00	16.00	17.00	18.00	19.00	20.15		
2.5	1700	1800	1950	1950	1950	2150													2.5
	1700	1800	1950	1950	1950	2150													
3.0	49	53	55	57	59	61													3.0
	1600	1700	1800	1800	1950	1950	1950	2150											
3.5	1550	1600	1700	1700	1800	1800	1950	1950	1950										3.5
	1550	1600	1700	1700	1800	1800	1950	1950	1950										
4.0	1500	1550	1600	1700	1700	1800	1800	1800	1950	1950									4.0
	1500	1550	1600	1700	1700	1800	1800	1800	1950	1950									
5.0	1450	1450	1500	1550	1550	1600	1700	1700	1800	1800	1950	2150							5.0
	1450	1450	1500	1550	1550	1600	1700	1700	1800	1800	1950	2150							
6.0	1450	1450	1450	1450	1450	1500	1550	1600	1600	1700	1800	1950	1950	2150	2150				6.0
	1450	1450	1450	1450	1450	1500	1550	1600	1600	1700	1800	1950	1950	2150	2150				
7.0	(5.3)	(6.0)	17	24	30	34	38	41	44	48	52	55	58	60	62				7.0
			1450	1450	1450	1450	1450	1500	1550	1600	1700	1800	1800	1950	1950	2150	2150		
8.0					1450	1450	1450	1450	1450	1500	1600	1600	1700	1800	1800	1950	1950		8.0
					1450	1450	1450	1450	1450	1500	1600	1600	1700	1800	1800	1950	1950		
9.0										1450	1450	1450	1450	1500	1600	1700	1800	1950	9.0
										1450	1450	1450	1450	1500	1550	1600	1700	1800	
10.0																			10.0
11.0																			11.0
12.0																			12.0
13.0																			13.0
14.0																			14.0
15.0																			15.0
16.0																			16.0
17.0																			17.0
17.64																			17.64
	14.00	15.00	16.00	17.00	18.00	19.00	20.15												

UNITS:  
 - ANGLES IN DEGREES  
 - LENGTHS IN METRES  
 - LOAD IN KILOGRAMS

KEY:

1550	RC @ ARTIC: 0°	PITCH: -2.3	ROLL: -1.0
1550	RC @ ARTIC: 25°	PITCH: -2.3	ROLL: -3.0
1550	RC @ ARTIC: 40°	PITCH: -2.3	ROLL: -3.5
40	BOOM ANGLE		
(7.5)	RADIUS AT ZERO BOOM ANGLE		

Note: Pitch & Roll angles indicated are representative of lifts based on firm level ground with tyres at specified pressures.





# RATED CAPACITY CHART - RHINO HOOK

Duty: **302**

COUNTERWEIGHT POSITION: STANDARD + EXTRA (SL)  
REAR OF CRANE

Rad	BOOM LENGTH - 3rd BOOM RETRACTED													3rd BOOM EXTENDING				Rad	
	6.45	7.00	7.50	8.00	8.50	9.00	9.50	10.00	10.50	11.00	12.00	13.00	14.00	15.00	17.00	18.00	18.75		
1.4	15000	15000	15000	15000	15000	15000													1.4
	15000	15000	15000	15000	15000	15000													
	52	56	59	61	64	65													
2.0	15000	15000	15000	15000	15000	15000	15000	15000											2.0
	15000	15000	15000	15000	15000	15000	15000	15000											
	45	50	53	56	58	61	63	64											
2.5	15000	15000	15000	15000	15000	15000	15000	15000	15000	15000									2.5
	15000	15000	15000	15000	15000	15000	15000	15000	15000	15000	15000								
	15000	15000	15000	15000	15000	15000	15000	15000	15000	15000	15000								
3.0	38	44	48	51	54	57	59	61	63	64									3.0
	15000	15000	15000	15000	15000	15000	15000	15000	15000	15000	14300								
	15000	15000	15000	15000	15000	15000	15000	15000	15000	15000	13300								
3.5	15000	15000	15000	15000	15000	14950	14950	14900	14900	14900	14900	13200	12350						3.5
	14350	14350	14350	14300	14300	14250	14250	14250	14200	14200	14200	12350	11550						
	13350	13350	13300	13300	13250	13250	13200	12850	12200	11600	10600	9750							
4.0	(3.8)	29	36	41	45	48	51	53	56	58	61	64							4.0
	12950	12950	12950	12950	12900	12900	12900	12850	12850	12850	12250	11450	10850						
	12350	12350	12350	12350	12300	12300	12300	12250	12250	11550	10750	10100							
5.0	11450	11450	11450	11400	11400	11400	11250	10700	10200	9300	8600	8050							5.0
	(4.4)	28	34	39	43	47	49	52	54	58	61	64							
	10350	10050	10050	10050	10050	10050	10000	10000	10000	9950	9950	9450	9050	8550					
6.0	9850	9550	9550	9550	9550	9550	9550	9500	9500	9500	9450	8850	8450	7900					6.0
	9100	8850	8850	8850	8850	8800	8800	8600	8200	7550	7000	6550	6200	5750					
	(4.9)	(5.4)	26	32	37	41	44	47	52	55	58	61	65						
7.0	8300	8100	8100	8100	8100	8100	8100	8100	8100	8050	8050	8050	7950	7500	7350	6850			7.0
	7900	7700	7700	7700	7700	7700	7700	7700	7700	7650	7650	7650	7500	7000	6850	6300			
	7300	7100	7100	7100	7100	7100	7100	6900	6350	5850	5500	5200	4900	4750	4650				
8.0	(5.9)	(6.4)	25	31	35	39	45	49	53	56	61	63	65						8.0
	6850	6700	6700	6700	6700	6700	6700	6700	6700	6650	6700	6700	6550	6300					
	6500	6350	6350	6350	6350	6350	6350	6350	6350	6300	6350	6300	6150	5850					
9.0	6000	5850	5850	5850	5850	5850	5850	5850	5850	5500	5050	4700	4500	4200	4100	4050			9.0
	(6.9)	(7.4)	23	29	37	43	47	51	57	59	61	63	65						
	5800	5650	5650	5650	5650	5650	5650	5650	5650	5650	5650	5800	5900	5750					
10.0	5450	5350	5350	5350	5350	5350	5350	5350	5350	5350	5350	5500	5550	5450					10.0
	5000	4900	4900	4500	4150	3950	3700	3600	3550										
	(7.9)	15	28	35	41	46	52	55	57										
11.0	5350	4850	4850	4850	4900	5000	5100	5150											11.0
	5050	4600	4600	4600	4600	4750	4800	4850											
	4600	4200	4100	3700	3500	3300	3200	3150											
12.0	(8.4)	14	27	34	40	48	51	53											12.0
	4600	4200	4200	4250	4400	4450	4500												
	4350	3950	3950	4000	4150	4200	4250												
13.0	3950	3600	3400	3150	2950	2900	2850												13.0
	(9.4)	14	26	33	43	46	48												
	4000	3700	3700	3850	3900	3950													
14.0	3750	3450	3500	3650	3700	3750													14.0
	3400	3100	2900	2700	2650	2600													
	(10.4)	13	25	37	41	44													
15.0	3500	3250	3400	3500	3500														15.0
	3300	3050	3200	3300	3300														
	2950	2700	2500	2400	2350														
16.1	(11.4)	13	31	36	39														16.1
	3100	3050	3100	3150															
	2900	2850	2950	2950															
18.75	2650	2300	2250	2200															18.75
	(12.4)	23	30	34															
	2700	2800	2850																
18.75	2150	2100	2050																18.75
	(14.4)	22	28																
	2500	2550	1950	1900															
18.75	2300	1800																	18.75
	(16.1)																		
	12.00	13.00	14.00	15.00	17.00	18.00	18.75												

UNITS:  
 - ANGLES IN DEGREES  
 - LENGTHS IN METRES  
 - LOAD IN KILOGRAMS

KEY:  

8550	RC @ ARTIC: 0°	PITCH: -2.3	ROLL: -1.0
7900	RC @ ARTIC: 25°	PITCH: -2.3	ROLL: -3.0
5750	RC @ ARTIC: 40°	PITCH: -2.3	ROLL: -3.5
65	BOOM ANGLE		
(5.9)	RADIUS AT ZERO BOOM ANGLE		

Note: Pitch & Roll angles indicated are representative of lifts based on firm level ground with tyres at specified pressures.



## RATED CAPACITY CHART - FLYJIB 3m

COUNTERWEIGHT STANDARD + EXTRA (SL)  
 POSITION: REAR OF CRANE

Duty: **305**

Duty: **306**

### FLYJIB at 0° OFFSET

Duty: **305**

Rad	RC
6.1	1500
	1440
7.8	65
	1500
9.3	1370
	60
10.8	1340
	1220
12.2	55
	1200
13.5	1080
	50
14.7	1080
	1010
15.7	45
	970
16.6	900
	40
17.3	900
	840
17.9	35
	850
18.3	800
	30
18.6	800
	750
18.7	25
	770
18.8	730
	20
18.9	760
	730
19.0	15
	750
19.1	720
	10
19.2	750
	720
19.3	5
	750
19.4	720
	0

### FLYJIB at 12.5° OFFSET

Duty: **306**

Rad	RC
6.6	1500
	1440
8.2	65
	1500
9.8	1370
	60
11.2	1340
	1220
12.6	55
	1200
13.8	1080
	50
14.9	1080
	1010
15.9	45
	970
16.8	900
	40
17.5	900
	840
18.0	35
	850
18.4	800
	30
18.6	800
	750
18.7	25
	770
18.8	730
	20
18.9	760
	730
19.0	15
	750
19.1	720
	10
19.2	750
	720
19.3	5
	750
19.4	720
	0

**NOTE:**

- RATED CAPACITY IS BASED ON THE STRENGTH OF THE FLYJIB ALONE - RC IS THE SAME FOR ALL BOOM LENGTHS.

**UNITS:**

- ANGLES IN DEGREES
- LENGTHS IN METRES
- LOAD IN KILOGRAMS

**KEY:**

970	RC @ ARTIC: 0°	PITCH: -2.3	ROLL: -1.0
900	RC @ ARTIC: 40°	PITCH: -2.3	ROLL: -3.5
40	Boom Angle		

Note: Pitch & Roll angles indicated are representative of lifts based on firm level ground with tyres at specified pressures.

# RATED CAPACITY CHART

COUNTERWEIGHT POSITION: STANDARD + EXTRA (SL) REAR OF CRANE

Duty: **309**

Duty: **310**

## MANBASKET

Duty: **309**

Rad	RC
6.0	275
	275
	65
7.5	275
	275
	60
9.0	275
	275
	55
10.3	275
	275
	50
11.6	275
	275
	45
12.8	275
	275
	40
13.8	275
	275
	35
14.7	275
	275
	30
15.5	275
	275
	25
16.1	275
	275
	20
16.6	275
	275
	15
17.0	275
	275
	10
17.2	275
	275
	5
17.3	275
	275
	0

## FIXED LUG (BUTT)

Duty: **310**

Rad	RC
1.4	25000
	24800
1.5	25000
	24300
1.6	24550
	23800
1.7	24150
	23350
1.8	23700
	22900
1.9	23300
	22500
2.0	22900
	22050
2.2	21050
	21050
	0

**NOTE:**

MANBASKET RATED CAPACITY INCLUDES ALL PERSONELL AND ALL EQUIPMENT.

**UNITS:**

- ANGLES IN DEGREES
- LENGTHS IN METRES
- LOAD IN KILOGRAMS

**KEY:**

275	RC @ ARTIC: 0°	PITCH: -2.3	ROLL: -1.0
275	RC @ ARTIC: 40°	PITCH: -2.3	ROLL: -3.5
0	Boom Angle		

Note: Pitch & Roll angles indicated are representative of lifts based on firm level ground with tyres at specified pressures.

# RATED CAPACITY CHART - LUG 1

Duty: **311**

COUNTERWEIGHT POSITION: STANDARD + EXTRA (SL)  
 REAR OF CRANE

Rad	BOOM LENGTH									Rad
	5.36	6.00	6.50	7.00	7.50	8.00	8.50	9.00	9.46	
1.4	25000	25000	25000	25000	25000	25000	25000	23300		1.4
	24950	24800	24650	24550	24450	24400	23250	21350		
	42	49	53	56	59	61	63	65		
2.0	23150	22950	22850	22750	22650	22600	22500	20800	19450	2.0
	22300	22100	22000	21900	21800	21700	21050	19250	17900	
	30	40	45	49	53	56	58	61	62	
2.5	21050	20750	20550	20350	20200	20050	19900	19150	17850	2.5
	20100	19800	19550	19400	19200	19050	18900	18050	16800	
	18650	18350	18150	17950	17750	17600	17500	17350	16550	
	16	31	38	43	48	51	54	56	59	
3.0	18700	16950	16800	16600	16450	16350	16200	16100	16000	3.0
	18250	16150	16000	15800	15650	15550	15400	15300	15200	
	16950	14950	14800	14600	14450	14300	14200	14100	13550	
	(2.7)	20	30	37	42	46	49	52	55	
3.5		14900	14100	13950	13800	13700	13600	13500	13400	3.5
		14150	13400	13250	13150	13000	12900	12800	12700	
		13100	12350	12250	12100	11950	11850	11750	11400	
		(3.4)	19	29	35	40	44	48	50	
4.0			12550	11950	11800	11700	11600	11500	11450	4.0
			11900	11350	11200	11100	11000	10900	10850	
			10950	10400	10300	10200	10100	10000	9800	
			(3.9)	19	28	34	39	43	46	
5.0				10700	9300	8900	8850	8750	8700	5.0
				10150	8800	8450	8350	8250	8200	
				9350	8050	7700	7600	7550	7500	
				(4.4)	(4.9)	17	26	32	36	
6.0					8100	7150	6900	6850	6850	6.0
					7650	6750	6500	6450	6450	
					7000	6100	5900	5850	5850	
					(5.4)	(5.9)	16	24	24	
6.8							6350	5700	5700	6.8
							5400	4800	4800	
							(6.4)	(6.8)	(6.8)	
	5.36	6.00	6.50	7.00	7.50	8.00	8.50	9.00	9.50	

**UNITS:**

- ANGLES IN DEGREES
- LENGTHS IN METRES
- LOAD IN KILOGRAMS

**KEY:**

11700	RC @ ARTIC: 0°	PITCH: -2.3	ROLL: -1.0
11100	RC @ ARTIC: 25°	PITCH: -2.3	ROLL: -3.0
10200	RC @ ARTIC: 40°	PITCH: -2.3	ROLL: -3.5
34	BOOM ANGLE		
(3.9)	RADIUS AT ZERO BOOM ANGLE		

Note: Pitch & Roll angles indicated are representative of lifts based on firm level ground with tyres at specified pressures.

# RATED CAPACITY CHART - LUG 2

Duty: **312**

COUNTERWEIGHT POSITION: STANDARD + EXTRA (SL)  
 REAR OF CRANE

Rad	BOOM LENGTH													Rad	
	5.57	6.50	7.00	7.50	8.00	8.50	9.00	9.50	10.00	11.00	12.00	13.00	13.77		
1.4	25000	25000	25000	25000	25000	25000	25000							1.4	
	25000	25000	25000	25000	25000	24950	24950								
2.0	44	52	56	59	61	63	65							2.0	
	23200	23200	23150	23150	23150	23150	23150	23150	23150						
	22350	22350	22350	22350	22350	22350	22350	22300	22000						
2.5	33	45	49	53	55	58	60	62	64					2.5	
	21200	21200	21200	21200	21200	21150	21150	21150	21150	16850					
	20250	20250	20250	20200	20200	20200	20200	20200	20150	15700					
	18800	18800	18800	18800	18750	18750	18750	18750	17700	15450					
3.0	22	38	43	47	51	54	56	58	60	64				3.0	
	17750	17400	17400	17400	17400	17400	17350	17350	17350	15450	14150				
	16950	16600	16600	16600	16600	16600	16550	16550	16550	14500	13200				
	15700	15400	15400	15400	15400	15350	15350	15350	14650	13150	11900				
3.5	(2.9)	30	36	41	46	49	52	54	57	61	64			3.5	
		14650	14700	14700	14700	14700	14650	14650	14650	14300	13050	12250			
		14000	14000	14000	14000	14000	14000	13950	13950	13450	12250	11400			
		12950	12950	12950	12950	12950	12950	12950	12500	11300	10300	9500			
4.0	19	28	35	40	44	48	50	53	57	61	63			4.0	
		13100	12650	12650	12650	12650	12650	12650	12650	12600	12100	11350	10850		
		12450	12050	12050	12050	12050	12050	12050	12050	12050	11400	10600	10150		
		11550	11100	11150	11150	11150	11150	11150	10950	9900	9050	8400	7950		
5.0	(3.9)	18	27	34	39	43	46	49	54	58	61	63		5.0	
			11400	10050	9800	9800	9800	9800	9800	9800	9750	9750	9400		
			10850	9550	9300	9300	9300	9300	9300	9300	9300	9300	8850		
			10000	8800	8550	8600	8600	8600	8600	7950	7300	6800	6450		
6.0		(4.4)	(4.9)	17	26	32	37	40	47	51	55	57		6.0	
					8950	8050	7850	7900	7900	7900	7900	7900	7850		
					8500	7650	7450	7500	7500	7500	7500	7450	7450		
					7850	7050	6850	6900	6900	6700	6100	5650	5400		
7.0				(5.4)	(5.9)	16	24	30	38	44	49	52		7.0	
							7300	6650	6500	6550	6550	6500	6500		
							6900	6300	6150	6200	6200	6200	6200		
							6350	5750	5650	5650	5300	4900	4600		
8.0						(6.4)	(6.9)	15	29	37	43	46		8.0	
									6100	5500	5500	5500	5500		
									5750	5200	5200	5200	5200		
									5250	4750	4750	4300	4050		
9.0								(7.4)	14	27	35	40		9.0	
										5150	4700	4700	4700		
										4900	4450	4450	4450		
										4450	4050	3900	3650		
10.0										(8.4)	14	26	32	10.0	
											4450	4050	4100		
											4200	3850	3850		
											3800	3450	3300		
11.0											(9.4)	13	23	11.0	
												3850	3550		
												3600	3350		
												3250	3000		
11.1												(10.4)	8	11.1	
													3500		
													3250		
													2950		
												(11.1)			
								8.50	9.00	9.50	10.00	11.00	12.00	13.00	13.77

- UNITS:
- ANGLES IN DEGREES
  - LENGTHS IN METRES
  - LOAD IN KILOGRAMS

KEY:

9750	RC @ ARTIC: 0°	PITCH: -2.3	ROLL: -1.0
9300	RC @ ARTIC: 25°	PITCH: -2.3	ROLL: -3.0
7300	RC @ ARTIC: 40°	PITCH: -2.3	ROLL: -3.5
51	BOOM ANGLE		
(5.4)	RADIUS AT ZERO BOOM ANGLE		

Note: Pitch & Roll angles indicated are representative of lifts based on firm level ground with tyres at specified pressures.



# RATED CAPACITY CHART - RUNNER 2 (15° OFFSET)

Hook

Duty: **328**

COUNTERWEIGHT: STANDARD + EXTRA (SL)

POSITION: REAR OF CRANE

Sheave

Duty: **331**

Rad	BOOM LENGTH - 3rd BOOM RETRACTED													3rd BOOM EXTENDING				Rad				
	6.98	7.50	8.00	8.50	9.00	9.50	10.00	10.50	11.00	12.00	13.00	14.00	15.00	16.00	17.00	18.00	19.28					
2.0	17450																	2.0				
	16250																					
	47																					
2.5	16450	17150	17850															2.5				
	15400	16000	16600																			
	41	46	49																			
3.0	15600	16250	16900	17500														3.0				
	14850	15400	16000	16550																		
	14650	15250	15800	15900																		
	35	40	44	48																		
3.5	14950	15250	15200	15150	15100	15100												3.5				
	14250	14550	14500	14450	14450	14400																
	13550	13500	13450	13450	13400	13350																
	27	34	39	43	46	49																
4.0	13200	13150	13150	13100	13050	13050	13000											4.0				
	12600	12550	12550	12500	12450	12450	12400															
	11700	11650	11600	11600	11550	11550	11500															
	16	26	33	38	42	45	48															
5.0	12000	11550	10250	10200	10200	10150	10150	10100	10100	10050								5.0				
	11450	11000	9750	9750	9700	9700	9650	9650	9600	9600												
	10650	10200	9000	9000	9000	8950	8950	8850	8850	8450	7750											
	(4.3)	(4.9)	16	25	31	35	39	43	46	50												
6.0			9400	8500	8250	8250	8200	8200	8200	8150	8150							6.0				
			8950	8050	7850	7850	7800	7800	7800	7750	7750											
			8300	7450	7250	7250	7200	7200	7150	7150	6500	6050										
			(5.4)	(5.9)	15	23	29	34	37	44	48											
7.0				7700	7000	6850	6850	6800	6800	6750	6750	6700						7.0				
				7300	6650	6500	6500	6500	6450	6400	6400	6400										
				6750	6150	6000	5950	5950	5650	5200	4850	4550										
				(6.4)	(6.9)	14	22	28	36	42	46	50										
8.0						6400	5900	5800	5750	5750	5750	5700	5750					8.0				
						6100	5600	5500	5450	5450	5400	5400	5450									
						5600	5150	5050	5000	4650	4300	4000	3850									
						(7.4)	(7.9)	14	27	34	40	45	48									
9.0														5450	4950	4950	4950	4950	5050	5100	9.0	
														5150	4700	4700	4650	4650	4700	4750	4850	
														4750	4300	4200	3850	3550	3450	3350	3250	
														(8.4)	13	26	33	39	43	47	50	
10.0																						10.0
11.0																						11.0
12.0																						12.0
13.0																						13.0
14.0																						14.0
15.0																						15.0
16.0																						16.0
16.64																						16.64
13.00																						13.00

<b>MAXIMUM RATED CAPACITY</b>		Duty
SINGLE PART	4200	331
TWO PARTS	8400	331
HOOK	18000	328

- UNITS:**
- ANGLES IN DEGREES
  - LENGTHS IN METRES
  - LOAD IN KILOGRAMS

**KEY:**

8250	RC @ ARTIC: 0°	PITCH: -2.3	ROLL: -1.0
7850	RC @ ARTIC: 25°	PITCH: -2.3	ROLL: -3.0
7250	RC @ ARTIC: 40°	PITCH: -2.3	ROLL: -3.5
15	BOOM ANGLE		
(6.4)	RADIUS AT ZERO BOOM ANGLE		

Note: Pitch & Roll angles indicated are representative of lifts based on firm level ground with tyres at specified pressures.



# RATED CAPACITY - FLYJIB 1.5m (0° OFFSET)

Duty: **333**

COUNTERWEIGHT: STANDARD + EXTRA (SL)  
 POSITION: REAR OF CRANE

Rad	BOOM LENGTH - 3rd BOOM RETRACTED												3rd BOOM EXTENDING				Rad	
	7.85	8.50	9.00	9.50	10.00	10.50	11.00	11.50	12.00	13.00	14.00	15.00	16.00	17.00	18.00	19.00		20.15
2.5	1700	1800	1950	1950	1950	2150												2.5
	1700	1800	1950	1950	1950	2150												
3.0	49	53	55	57	59	61												3.0
	1600	1700	1800	1800	1950	1950	1950	2150										
3.5	44	48	51	54	56	58	60	61										3.5
	1550	1600	1700	1700	1800	1800	1950	1950	1950									
4.0	38	43	47	50	52	54	56	58	60									4.0
	1500	1550	1600	1700	1700	1800	1800	1800	1950	1950								
5.0	32	38	42	45	48	51	53	55	57	60								5.0
	1450	1450	1500	1550	1550	1600	1700	1700	1800	1800	1950	2150						
6.0	15	26	31	36	40	43	46	48	51	54	57	60						6.0
	1450	1450	1450	1450	1450	1500	1550	1600	1600	1700	1800	1950	2150	2150				
7.0	(5.3)	(6.0)	17	24	30	34	38	41	44	48	52	55	58	60	62			7.0
			1450	1450	1450	1450	1450	1500	1550	1600	1700	1800	1800	1950	1950	2150	2150	
8.0																		8.0
					1450	1450	1450	1450	1450	1500	1600	1600	1700	1800	1800	1950	1950	
9.0																		9.0
									1450	1450	1450	1450	1500	1550	1600	1700	1800	
10.0																		10.0
11.0																		11.0
12.0																		12.0
13.0																		13.0
14.0																		14.0
15.0																		15.0
16.0																		16.0
17.0																		17.0
17.64																		17.64
	14.00	15.00	16.00	17.00	18.00	19.00	20.15											

UNITS:  
 - ANGLES IN DEGREES  
 - LENGTHS IN METRES  
 - LOAD IN KILOGRAMS

KEY:

1550	RC @ ARTIC: 0°	PITCH: -2.3	ROLL: -1.0
1550	RC @ ARTIC: 25°	PITCH: -2.3	ROLL: -3.0
1550	RC @ ARTIC: 40°	PITCH: -2.3	ROLL: -3.5
40	BOOM ANGLE		
(7.5)	RADIUS AT ZERO BOOM ANGLE		

Note: Pitch & Roll angles indicated are representative of lifts based on firm level ground with tyres at specified pressures.



# RATED CAPACITY - FLYJIB 1.5m (12.5° OFFSET)

Duty: **334**

COUNTERWEIGHT: STANDARD + EXTRA (SL)  
 POSITION: REAR OF CRANE

Rad	BOOM LENGTH - 3rd BOOM RETRACTED													3rd BOOM EXTENDING				Rad			
	7.84	8.50	9.00	9.50	10.00	10.50	11.00	11.50	12.00	13.00	14.00	15.00	16.00	17.00	18.00	19.00	20.14				
2.5	1800	1800	1950	1950	2150	2150													2.5		
	1800	1800	1950	1950	2150	2150															
3.0	51	55	57	60	61	63													3.0		
	1700	1800	1800	1950	1950	1950	2150	2150													
3.5	46	50	53	56	58	60	61	63											3.5		
	1600	1700	1700	1800	1800	1950	1950	1950	2150												
4.0	40	46	49	52	54	56	58	60	61										4.0		
	1500	1600	1600	1700	1800	1800	1800	1950	1950	2150											
5.0	34	40	44	47	50	53	55	57	58	61									5.0		
	1450	1450	1500	1550	1600	1600	1700	1700	1800	1950	1950	2150									
6.0	16	28	34	38	42	45	48	50	52	56	59	62							6.0		
	1450	1450	1450	1450	1500	1550	1550	1600	1700	1700	1800	1950	1950	2150	2150						
7.0	(5.3)	(6.0)	19	26	32	36	40	43	45	50	54	57	59	62	64				7.0		
			1450	1450	1450	1450	1500	1500	1550	1600	1700	1800	1800	1950	1950	2150	2150				
8.0					1450	1450	1450	1450	1450	1550	1600	1700	1700	1800	1950	1950	1950		8.0		
					1450	1450	1450	1450	1450	1550	1600	1700	1700	1800	1950	1950	1950				
9.0										1450	1450	1450	1450	1500	1600	1600	1700	1800	1950	9.0	
										1450	1450	1450	1450	1500	1600	1600	1700	1800	1950		
10.0										(8.5)	(9.0)	16	28	35	40	45	48	51	54	56	10.0
												1450	1450	1450	1500	1550	1600	1700	1700	1800	
11.0																					11.0
12.0																					12.0
13.0																					13.0
14.0																					14.0
15.0																					15.0
16.0																					16.0
17.0																					17.0
17.63																					17.63

UNITS:  
 - ANGLES IN DEGREES  
 - LENGTHS IN METRES  
 - LOAD IN KILOGRAMS

KEY:

1600	RC @ ARTIC: 0°	PITCH: -2.3	ROLL: -1.0
1600	RC @ ARTIC: 25°	PITCH: -2.3	ROLL: -3.0
1600	RC @ ARTIC: 40°	PITCH: -2.3	ROLL: -3.5
42	BOOM ANGLE		
(7.5)	RADIUS AT ZERO BOOM ANGLE		

Note: Pitch & Roll angles indicated are representative of lifts based on firm level ground with tyres at specified pressures.



## AFTERMARKET CONTACTS LIST

**AFTER HOURS SUPPORT:** from anywhere within Australia

**National Technical Support Contact (24/7)**

PH: **1800 837 395** (1800TEREXL)

### **BUSINESS HOURS SUPPORT:**

Contact the relevant state office on the numbers shown below for all enquiries regarding:

- Spare parts
- Product support
- Service
- Warranty

<b>Queensland:</b>	<b>+61 7 3868 9600</b>
<b>New South Wales:</b>	<b>+61 2 8786 4444</b>
<b>Victoria:</b>	<b>+61 3 8794 4170</b>
<b>Western Australia:</b>	<b>+61 8 9232 0000</b>

**Please have the following information available before calling:**

- Company name
- Contact name
- Phone number
- E-mail contact
- Crane model and serial number
- Crane hours and kilometres