

TECHNICAL
DATASHEET

FRANNA[®]
A TEREX BRAND

AT22

PICK AND CARRY
CRANE



MAXIMUM CAPACITY
22t



MAXIMUM BOOM LENGTH
17.9m



MAXIMUM HOOK HEIGHT
17m

terex.com/franna



OVERVIEW

The AT 22 is a mid-sized, mobile pick and carry crane with a maximum lifting capacity of 22 tonne (24 USt). Boasting maximum safety features and superior capabilities than that of other pick and carry cranes in the field, the AT 22 is a logical choice for customers who cover a wide range of applications.

⚙️ KEY FEATURES AND BENEFITS:

- ▶ 22 tonne at 1.4m radius
- ▶ 1.7 tonne at 15.8m radius
- ▶ 17m maximum hook height
- ▶ 16.8 tonne capacity on 4 part hook block
- ▶ Single line pull 4.2 tonne
- ▶ Dynamic LMI (Patent Protected)
- ▶ Wide stance boom lift cylinders enhance operator's vision.
- ▶ Easy access to all key maintenance points
- ▶ Modern cabin design ensures maximum comfort for the operator



TECHNICAL DESCRIPTION

01. Boom

Maximum boom length	17.9m
Maximum hook height	17m
Boom elevation angle range	-6° / 60°
Maximum hook height with jib	20m
Articulation	40° R / 40° L
Machinery hook (rhino)	10 tonne

02. Winch

Maximum line pull	4.2 tonne
Two speed winch	38m/min 76m/min
Hook block (4 part)	16.8 tonne maximum rated capacity

03. Engine & Transmission

Standard engine	Mercedes OM 906
Engine power	205kW
Engine torque	1100 Nm
Fuel Type	Diesel
Fuel Capacity	440 litre
Transmission	Allison 6 speed
Transfer case	ZF 2:1 Ratio

04. Hydraulic System

Axial piston pump	62cc/rev
Maximum pump flow rate	130 litre/min
Maximum working pressure	250 bar
Hydraulic tank capacity	200 litre

05. Chassis

Front Axle	8,000 kg
Rear Axle	12,000kg
Axle total	20,000 kg
Turning circle	7.4m

06. Brakes & Suspension

Brake System	Air operated drum brakes
Suspension	Two semi elliptic springs on front and rear axle plus torsion bar on front axle for stability

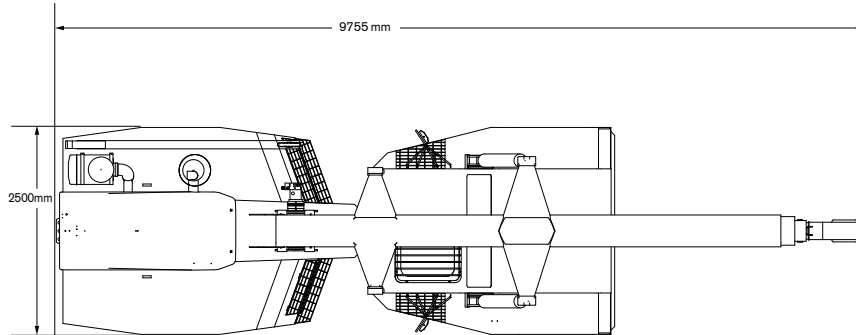
07. Vehicle Performance

Maximum rated travel speed	80 km/h
Gradeability	50%

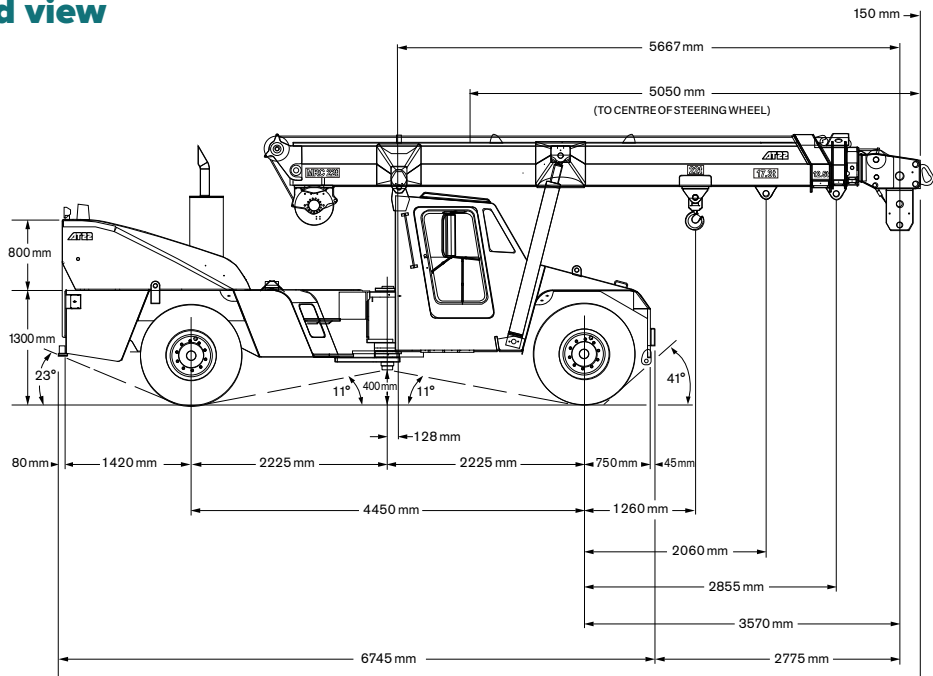


DIMENSIONS / AREA OF OPERATION

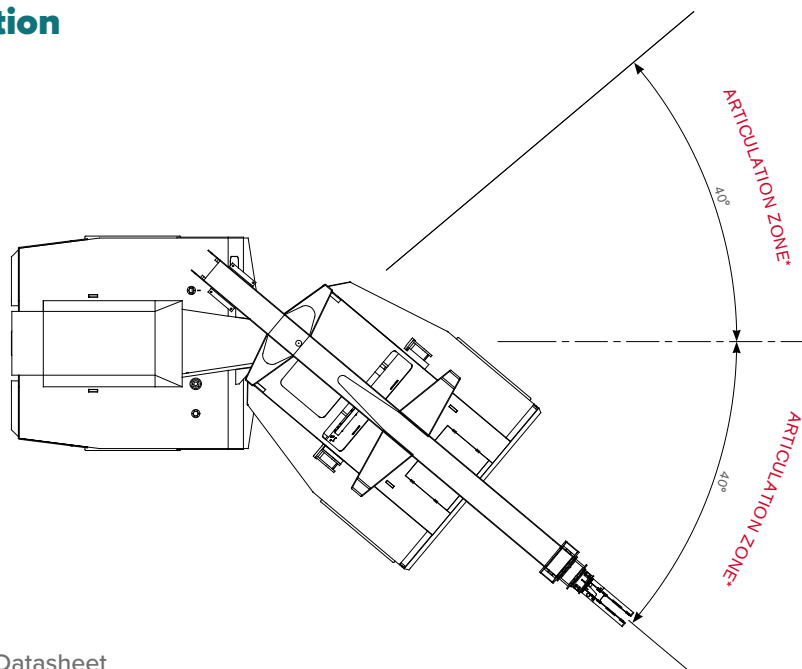
Plan view



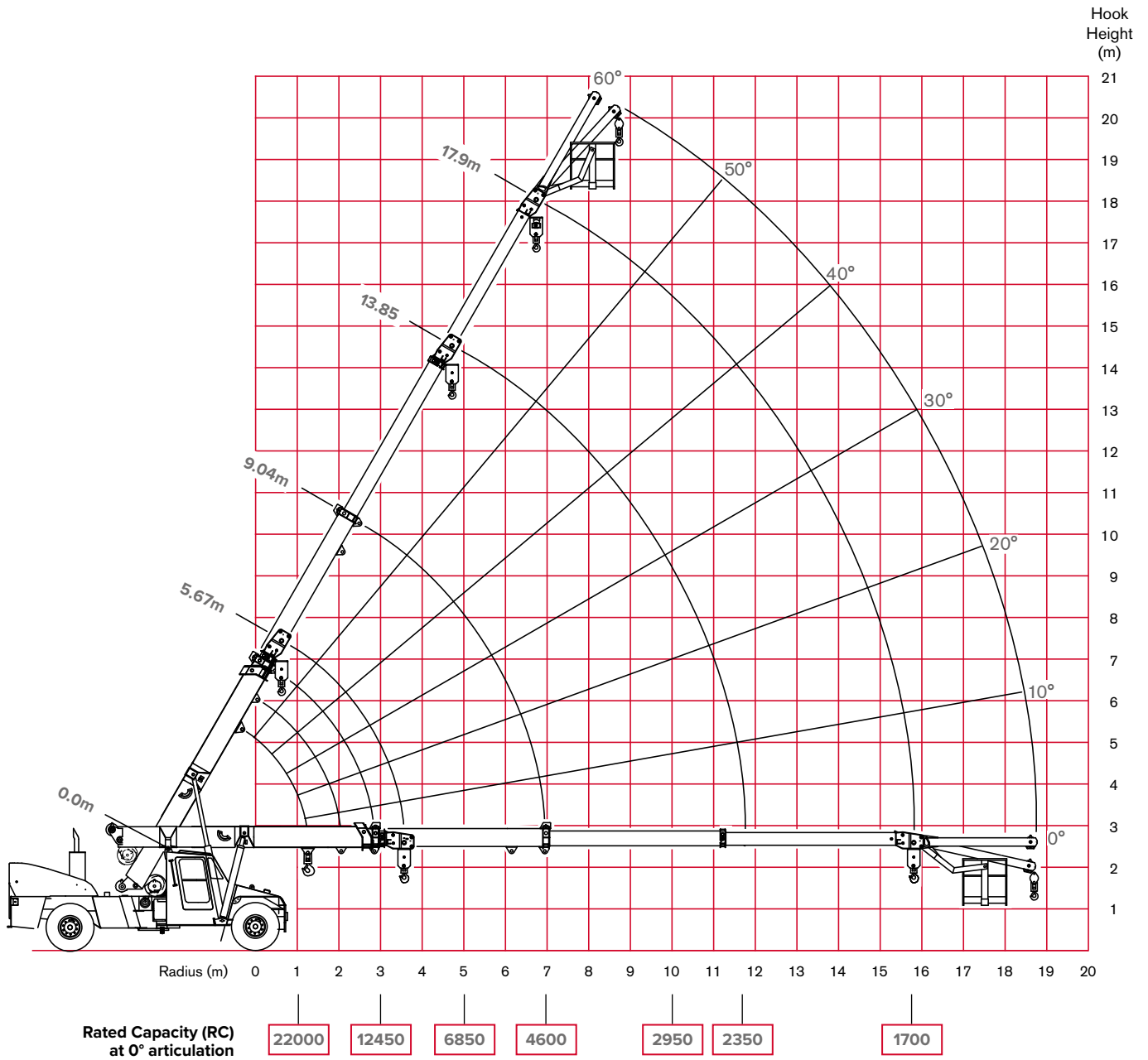
Right hand view



Area of operation



RADIUS LOAD CHART



NOTE: Rated Capacity values shown are for the Pick and Carry Chart.

LOAD CHART

RATED CAPACITY CHART - FALL BLOCK

RAD	BOOM LENGTH (m)																	
	5.67	6.00	6.50	7.00	7.50	8.00	8.50	9.00	9.50	10.00	10.50	11.00	11.50	12.00	12.50	13.00	13.50	13.85
m	kg	kg	kg	kg	kg	kg	kg	kg	kg	kg	kg	kg	kg	kg	kg	kg	kg	kg
1.6	16800	16150	15350	14800														
	16800	16150	15350	14800														
	48	51	54	57														
2.0	16800	16800	16400	15600	15000	14600												
	16350	16350	16300	15600	15000	14600												
	42	46	50	53	56	58												
2.5	14600	14550	14550	14550	14500	14250	13700	13200										
	12900	12900	12900	12850	12850	12850	12850	12800										
	34	39	44	48	51	54	56	58										
3.0	12000	12000	12000	12000	11950	11950	11950	11950	11900	11150								
	10600	10600	10600	10600	10600	10550	10550	10550	10550	10550								
	25	31	37	42	46	49	52	55	57	59								
3.5	10150	10150	10150	10150	10150	10150	10100	10100	10100	10100	9450	8150						
	8950	9000	8950	8950	8950	8950	8950	8900	8900	8900	8900	8150						
	8	20	29	36	41	45	48	51	53	55	57	59						
4.0	9950	9000	8800	8750	8750	8750	8750	8750	8750	8700	8700	7600	7050	6800				
	8750	7950	7750	7750	7700	7700	7700	7700	7700	7700	7700	7600	7050	6800				
	(3.57)	(3.90)	19	28	35	39	43	47	49	52	54	56	57	59				
4.5			7900	7700	7700	7700	7700	7650	7650	7650	7650	7100	6600	6350	6100	5900		
			6950	6750	6750	6750	6750	6750	6750	6750	6750	6750	6600	6350	6100	5900		
			(4.40)	18	27	34	38	42	45	48	50	52	54	56	58	59		
5.0				7000	6850	6850	6850	6800	6800	6800	6800	6650	6200	5950	5700	5500	5350	5200
				6150	6000	6000	6000	6000	6000	6000	6000	5950	5950	5950	5700	5500	5350	5200
				(4.90)	18	27	33	37	41	44	47	49	51	53	55	56	58	59
6.0					6250	5650	5550	5550	5550	5550	5550	5500	5500	5300	5050	4900	4700	4600
					5500	4950	4850	4850	4850	4850	4850	4800	4800	4800	4800	4800	4700	4600
					(5.40)	(5.90)	17	25	31	35	39	42	45	47	49	51	53	54
7.0							5150	4700	4600	4600	4600	4600	4600	4600	4550	4400	4250	4000
							4500	4100	4000	4000	4000	4000	4000	4000	4000	4000	4000	4000
							(6.40)	(6.90)	16	24	29	34	37	40	43	45	47	48
8.0									4300	4000	3900	3900	3900	3900	3900	3850	3700	3600
									3750	3450	3400	3400	3400	3400	3400	3400	3400	3400
									(7.40)	(7.90)	15	23	28	32	36	38	41	43
9.0											3700	3400	3400	3400	3400	3400	3400	3300
											3200	2950	2900	2900	2900	2900	2900	2900
											(8.40)	(8.90)	15	22	27	31	34	36
10.0													3200	3000	2950	2950	2950	2950
													2750	2500	2500	2500	2500	2500
													(9.40)	(9.90)	14	21	26	29
11.0															2800	2600	2600	2600
															2300	2150	2100	2100
															(10.40)	(10.90)	13	18
11.75																	2450	2350
																	1950	1850
																	(11.40)	(11.75)

KEY:

RC (kg) AT 0 DEG ARTICULATION

RC (kg) AT FULL ARTICULATION

8 BOOM ANGLE

(3.57) RADIUS AT ZERO BOOM ANGLE

“Weight of slings & hook block to be added to load

Read and understand warning notes before operating crane”